

Movement by Perfection



The Royal League in **ventilation**, control and drive technology



Product documentation

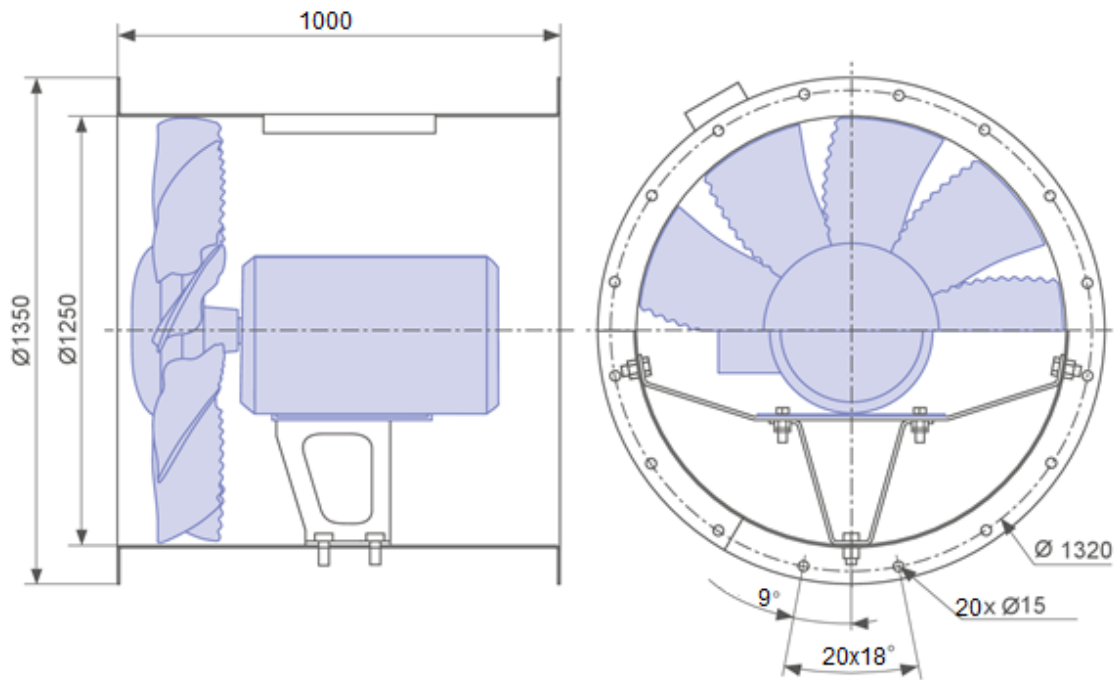
Type  
DN12V-4DF.R7.19.G9\_45kW

### Product specification

#### Technical data

Article number	-
Type	DN12V-4DF.R7.19.G9
Designation	Medium pressure axial fan
Rated values	3~400/690V D/Y 50Hz; 45kW 79,30/46,00A; 1485/min
Electrical connection	Terminal box on motor
Approx. weight kg	554,00kg
min. operating temp.	-20 ~ +50°C
Type of protection	IP55
Thermal class	Thermal class 155
Fitting position	Fitting position horizontal / vertical
Number of blades	9
Corrosion protection	Hot Dip Galvanized Steel
Motor protection	Motor protection through PTC
Balancing quality	Balancing quality G6,3
Material blades	ZAmid
Painting impeller	Without
Colour blades	Blue
certificated	GOST certified, ...
Painting housing	Unpainted casing
ErP Data	Efficiency $\eta_{statA}$ : 51,5 % Efficiency grade: N = 50,2 (actual) / N = 40 (target)* *ErP 2015

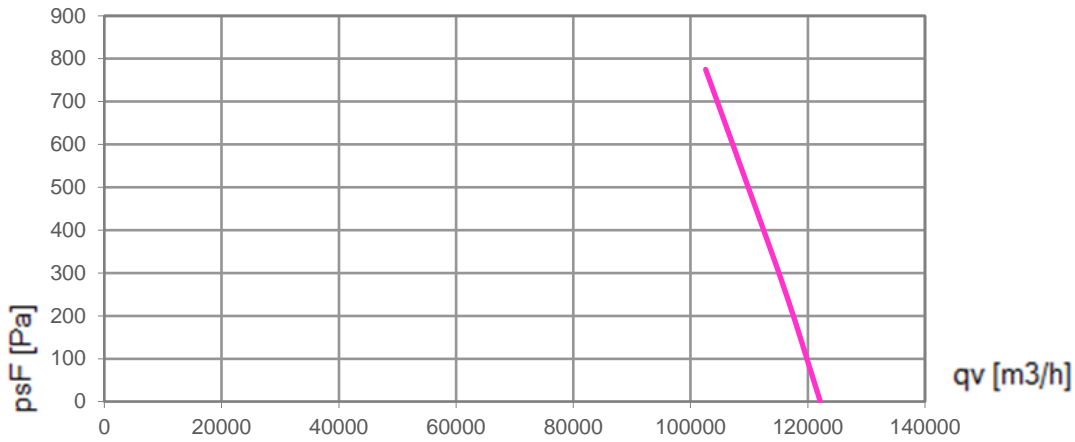
#### Drawing



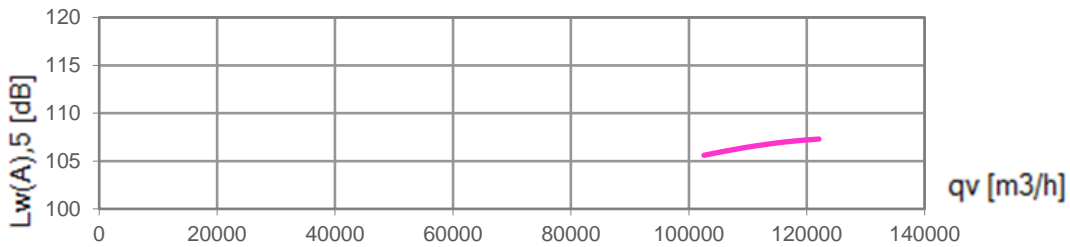
Dimensions in mm  
Shown drawing is just to show the dimensions of the fan.

### Characteristic curve

#### Air performance



#### Acoustics



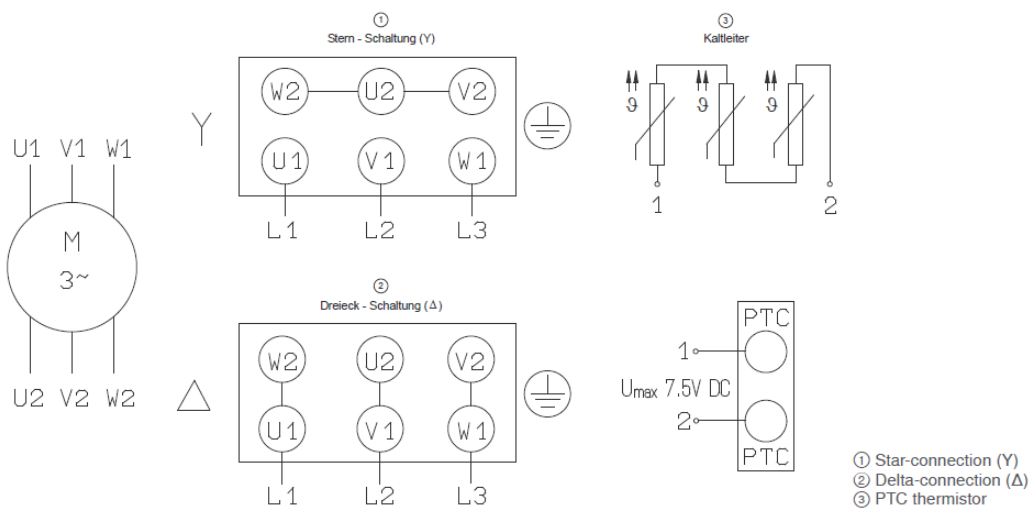
Measured in long casing with inlet bell mouth without guard grille in installation type A air flow impeller/motor according to ISO 5801.

Please note: It's not allowed to use this fan in the stall area!\*

\*In doubt please ask your responsible ZIEHL-ABEGG sales contact.

Measurements based on Motors with efficiency class IE3

### Connection diagram



Reversible rotation by interchanging phases

Rated voltage:

Motor size ≤ 90: 230 V Δ / 400 V Y

Motor size ≥ 100: 400 V Δ / 690 V Y

### Optional accessories

#### Motor protection

**MSR220K – T2211775** (with reset) – 2U, AC 220-240V



- Electronic reclosing lock
- Integrated RESET-button
- Link for external RESET
- Automatic RESET at voltage recovery
- LEDs for power ON (green) and alarm (red) in reset – button
- UL Recognized Component
- Option: other supply-voltages

#### Accessories:

**Inlet ring** – 00500367



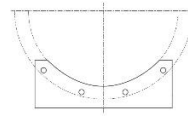
**Flexible connector** – 00500448



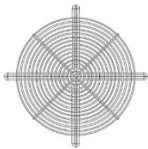
**Mating flange** – 00500351



**Mounting feet** – 00500381



**Guard grille (Mesh 10mm) on the suction side**  
– 00500152



**Guard grille (Mesh 20mm) on the engine side**  
– 00500550

