

Movement by Perfection



The Royal League in **ventilation**, control and drive technology



[Product documentation](#)

Type  
DN80V-2DF.N7.14.G9\_30kW

# The Royal League

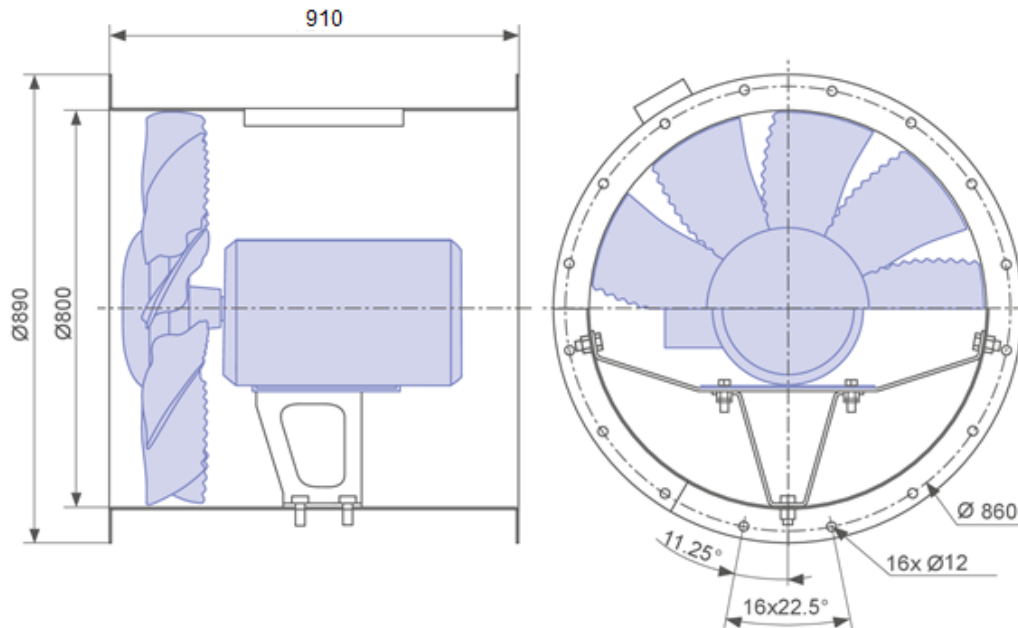
## Die Königsklasse

### Product specification

#### Technical data

Article number	-
Type	DN80V-2DF.N7.14.G9
Designation	Medium pressure axial fan
Rated values	3~400/690V D/Y 50Hz; 30kW 52,10/30,20A; 2960/min
Electrical connection	Terminal box on motor
Approx. weight kg	366,00kg
min. operating temp.	-20 ~ +50°C
Type of protection	IP55
Thermal class	Thermal class 155
Fitting position	Fitting position horizontal / vertical
Number of blades	9
Corrosion protection	Hot Dip Galvanized Steel
Motor protection	Motor protection through PTC
Balancing quality	Balancing quality G6,3
Material blades	ZAmid
Painting impeller	Without
Colour blades	Blue
certificated	GOST certified, ...
Painting housing	Unpainted casing
ErP Data	Efficiency $\eta_{statA}$ : 52,0 % Efficiency grade: N = 51,2 (actual) / N = 40 (target)* *ErP 2015

#### Drawing



Dimensions in mm

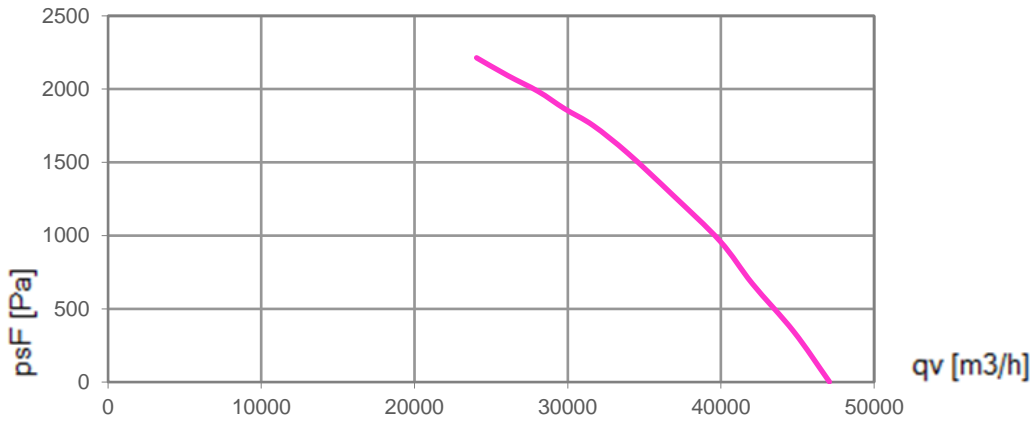
Shown drawing is just to show the dimensions of the fan.

# The Royal League

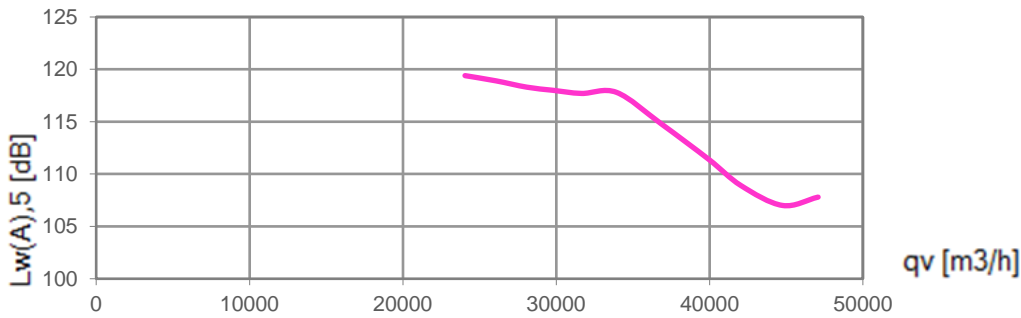
## Die Königsklasse

### Characteristic curve

### Air performance



### Acoustics



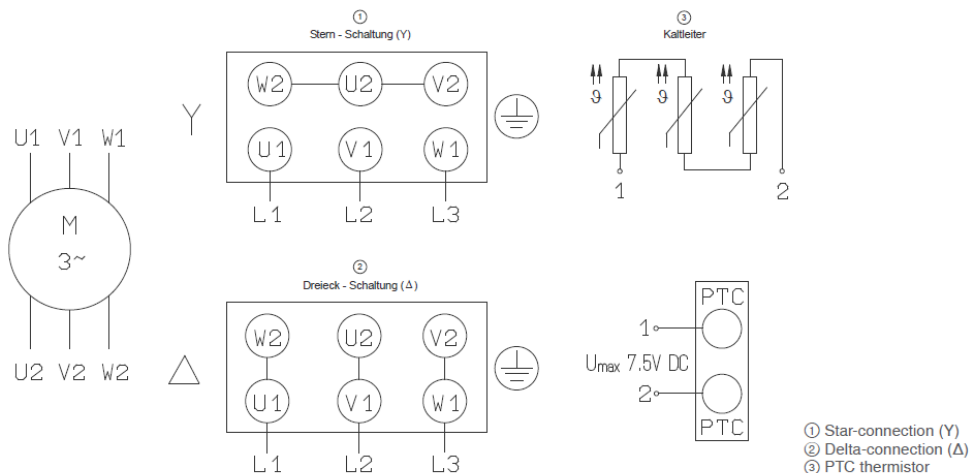
Measured in long casing with inlet bell mouth without guard grille in installation type A air flow impeller/motor according to ISO 5801.

Please note: It's not allowed to use this fan in the stall area!\*

\*In doubt please ask your responsible ZIEHL-ABEGG sales contact.

Measurements based on Motors with efficiency class IE3

### Connection diagram



Reversible rotation by interchanging phases

Rated voltage:  
 Motor size ≤ 90: 230 V Δ / 400 V Y  
 Motor size ≥ 100: 400 V Δ / 690 V Y

### Optional accessories

#### Frequency inverter FXDM62A 308092

400V 62A 30kW IP54 386x525x283



Setting of the desired speed through device or by external default, e.g. 0~10V



Connecting pressure sensors, e.g. 0~30 bar, 0~50 bar



Connection of thermistors e.g. sensors type TF, sensors type MTG



Connecting differential pressure sensors e.g. type MPG 0~6000Pa



Connecting air velocity sensors e.g. type MAL, measuring range 0~1 m/s, 0~10 m/s



Connecting additional sensors e.g. CO<sub>2</sub>, sensors signal 0~10V / 0~20mA / 4~20 mA

#### Motor protection

**MSR220K – T2211775** (with reset) – 2U, AC 220-240V



- Electronic reclosing lock
- Integrated RESET-button
- Link for external RESET
- Automatic RESET at voltage recovery
- LEDs for power ON (green) and alarm (red) in reset – button
- UL Recognized Component
- Option: other supply-voltages

#### Accessories:

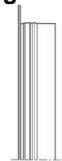
**Inlet ring – 00500364**



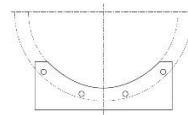
**Flexible connector – 00500445**



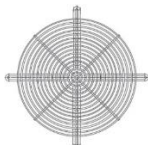
**Mating flange – 00500348**



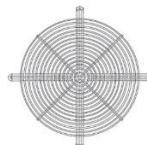
**Mounting feet – 00500378**



**Guard grille (Mesh 10mm) on the suction side**  
– 00500148



**Guard grille (Mesh 20mm) on the engine side**  
– 00500547



### EU-Declaration of conformity

#### EC-Declaration of conformity

- Translation -  
(english)

ZA75-GB 1616 Index 011  
00285644-GB

**Manufacturer:** ZIEHL-ABEGG SE  
Heinz-Ziehl-Straße  
74653 Künzelsau  
Germany

**The manufacturer is solely responsible for issuance of the declaration of conformity.**

#### The products:

- External rotor motor MK.., MW..
- Axial fan FA.., FB.., FC.., FE.., FF.., FS.., FT.., FH.., FL.., FN.., FV.., DN.., VR.., VN.., ZC.., ZF.., ZN..
- Centrifugal fan RA.., RD.., RE.., RF.., RG.., RH.., RK.., RM.., RR.., RZ.., GR.., ER..
- Cross-flow fan QK.., QR.., QT.., QG..

#### The engine type:

- Asynchronous internal or external rotor motor
- Asynchronous internal or external rotor motor with integrated frequency inverter, except EDP system
- Electronically commutated (EC) internal or external rotor motor
- Electronically commutated internal or external rotor motor with integrated EC Controller, except EDP system

#### These products comply with the following EU directives:

- EMC Directive 2014/30/EU
- Low voltage directive 2014/35/EU
- ErP Directive 2009/125/EC, in conjunction with Regulation (EU) no. 327/2011

#### The following harmonized standards are in use:

EN 60034-1:2010 + Cor.:2010	EN 61000-6-3:2007 + A1:2011 + AC:2012
EN 60204-1:2006 + A1:2009 + AC:2010	EN 61000-6-2:2005 + AC:2005
EN 60529:1991 + A1:2000 + A2:2013	

Compliance with the ErP Directive 2009/125/EC does not refer to external rotor motors MK.., MW..

All ErP-relevant information comprises measurements which are determined using a standardised measurement set-up. More details can be obtained from the manufacturer.

Compliance with the EMC Directive 2014/30 / EU refers only to those products when they are connected by mounting / operating instructions . If these products are integrated into a system or supplemented with other components (eg. sensing controls) and operated , the manufacturer or operator is responsible of the overall system for compliance with the EMC Directive 2014/30 / EU .

Künzelsau, 20.04.2016  
(Location, date of issue)

ZIEHL-ABEGG SE  
Dr. W. Angelis  
Technical Director Air Movement Division  
(Name, Function)

(Signature)

**ZIEHL-ABEGG** 