

Movement by Perfection



The Royal League in **ventilation**, control and drive technology



Product documentation

Type
DN80V-4DF.H7.29.G9_7,5kW

The Royal League

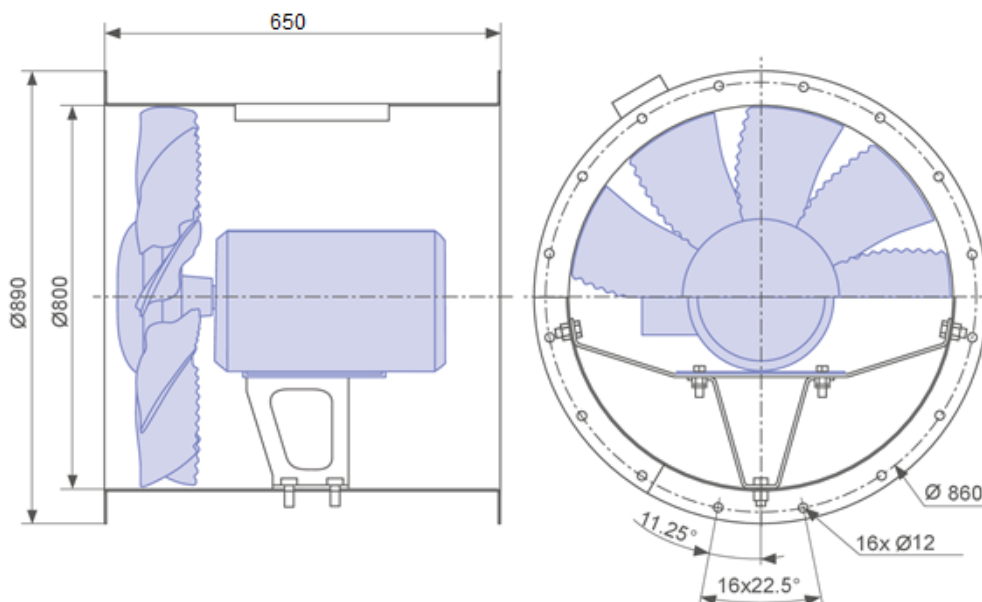
Die Königsklasse

Product specification

Technical data

Article number	-
Type	DN80V-4DF.H7.29.G9
Designation	Medium pressure axial fan
Rated values	3~400/690V D/Y 50Hz; 7,5kW 14,60/ 8,46A ; 1460/min
Electrical connection	Terminal box on motor
Approx. weight kg	127,00kg
min. operating temp.	-20 ~ +50°C
Type of protection	IP55
Thermal class	Thermal class 155
Fitting position	Fitting position horizontal / vertical
Number of blades	9
Corrosion protection	Hot Dip Galvanized Steel
Motor protection	Motor protection through PTC
Balancing quality	Balancing quality G6,3
Material blades	ZAmid
Painting impeller	Without
Colour blades	Blue
certificated	GOST certified, ...
Painting housing	Unpainted casing
ErP Data	Efficiency η_{statA} : 44,5 % Efficiency grade: N = 45,0 (actual) / N = 40 (target)* *ErP 2015

Drawing



Dimensions in mm

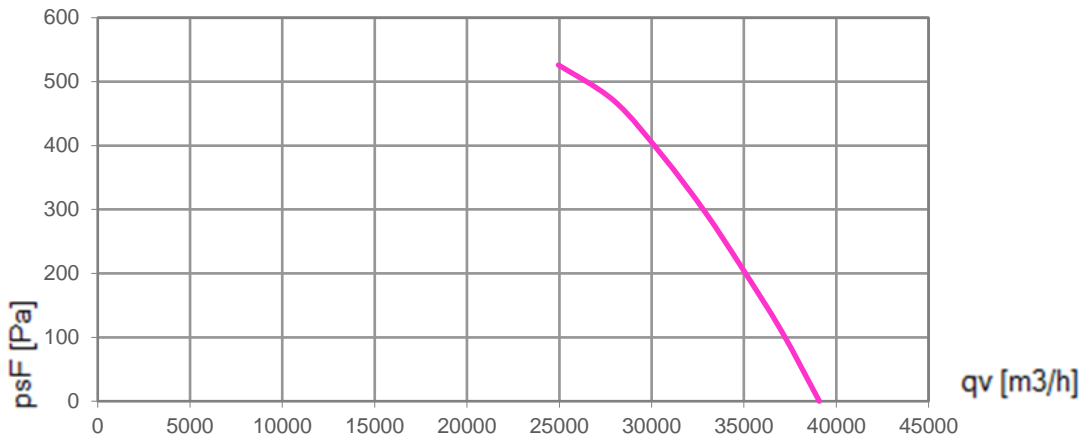
Shown drawing is just to show the dimensions of the fan.

The Royal League

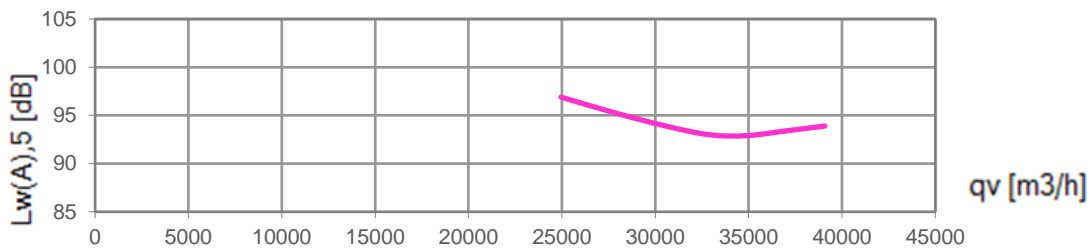
Die Königsklasse

Characteristic curve

Air performance



Acoustics



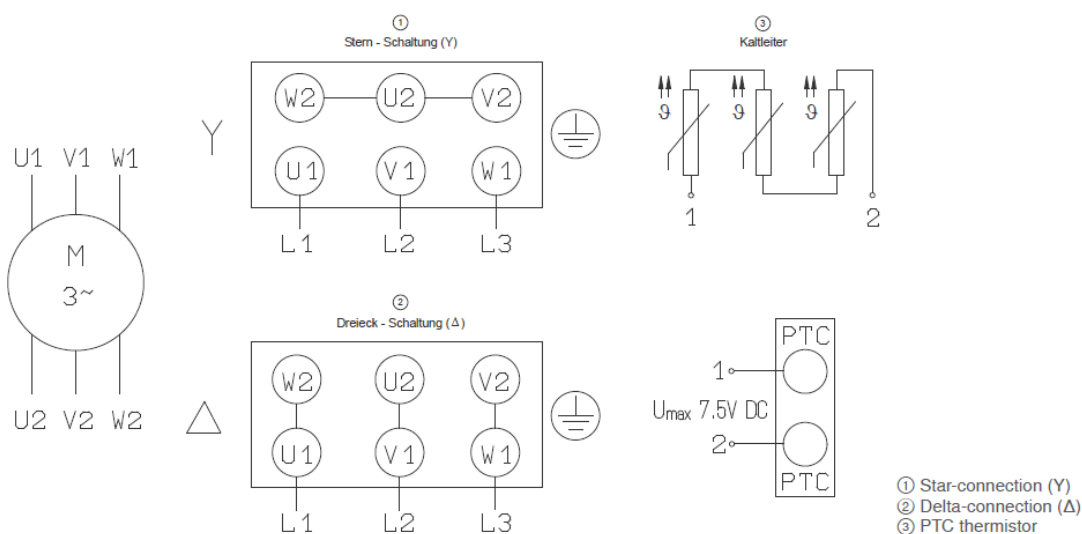
Measured in long casing with inlet bell mouth without guard grille in installation type A air flow impeller/motor according to ISO 5801.

Please note: It's not allowed to use this fan in the stall area!*

*In doubt please ask your responsible ZIEHL-ABEGG sales contact.

Measurements based on Motors with efficiency class IE3

Connection diagram



Reversible rotation by interchanging phases

Rated voltage:

Motor size ≤ 90: 230 V Δ / 400 V Y

Motor size ≥ 100: 400 V Δ / 690 V Y

Optional accessories

Frequency inverter FXDM17A 308153

400V 17A 7,5kW IP54 250x302x195,5



Setting of the desired speed through device or by external default, e.g. 0~10V



Connecting pressure sensors, e.g. 0~30 bar, 0~50 bar



Connection of thermistors e.g. sensors type TF, sensors type MTG



Connecting differential pressure sensors e.g. type MPG 0~6000Pa



Connecting air velocity sensors e.g. type MAL, measuring range 0~1 m/s, 0~10 m/s



Connecting additional sensors e.g. CO₂, sensors signal 0~10V / 0~20mA / 4~20 mA

Motor protection

MSR220K – T2211775 (with reset) – 2U, AC 220-240V



- Electronic reclosing lock
- Integrated RESET-button
- Link for external RESET
- Automatic RESET at voltage recovery
- LEDs for power ON (green) and alarm (red) in reset – button
- UL Recognized Component
- Option: other supply-voltages

Accessories:

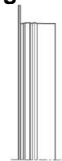
Inlet ring – 00500364



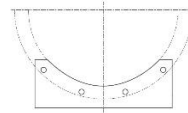
Flexible connector – 00500445



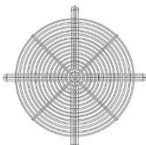
Mating flange – 00500348



Mounting feet – 00500378



Guard grille (Mesh 10mm) on the suction side – 00500148



Guard grille (Mesh 20mm) on the engine side – 00500547

