



Intelligent sensor available in three different versions: CO2, VOC and RH. Designed to create direct demand control ventilation systems without the need to install an intermediate control. AirSens can be linked with AC, ECOWATT (EC) fans or VFTM frequency drive. WiFi version also facilitates remote monitoring through CONNECTAIR® platform.

Main features:

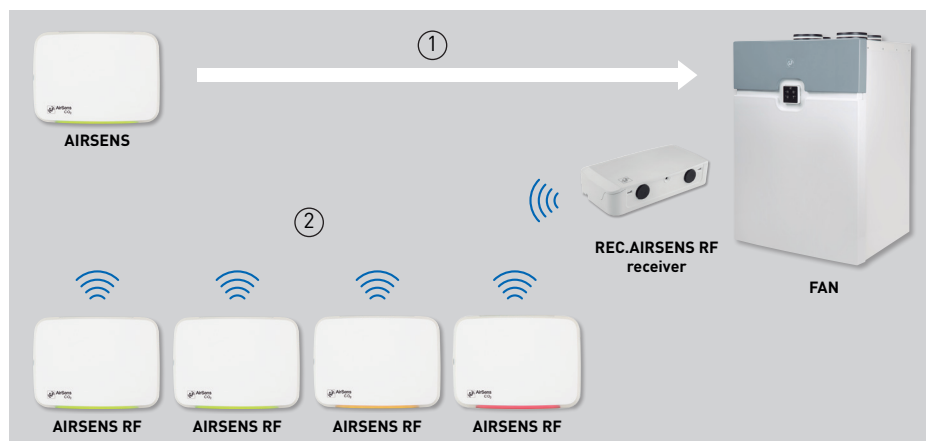
- 4 working modes:
 - Relay output.
 - 0-10V output.
 - 2-10V output.
 - Total control through Modbus or CONNECTAIR® platform (WiFi version).
- Adjustable set point.
- IAQ level indicator (3-LED light diffuser).
- Adjustable 3-LED light diffuser intensity (OFF-100%).



All-in-one:
Reduces components, simplifies installation, increases savings.

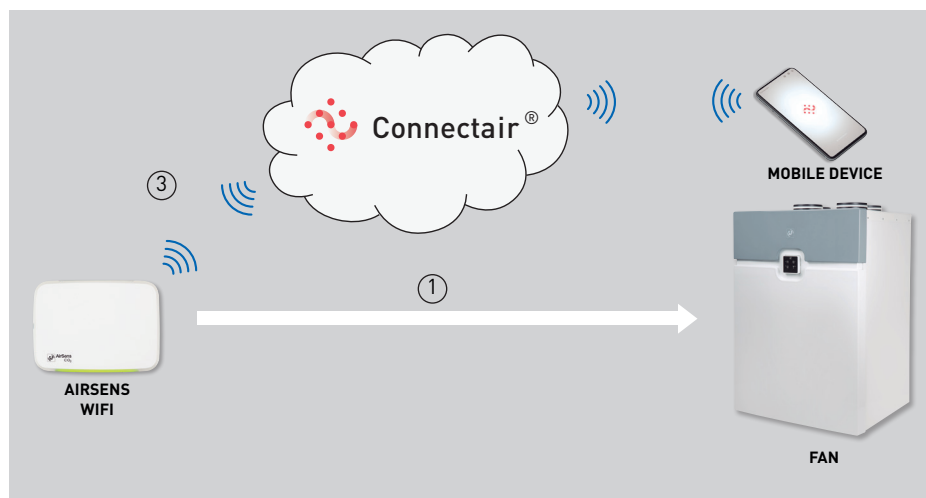


The front LED indicator lets you know at any moment the IAQ level of the air.



Communication with the ventilation unit

- ① Standard version: wiring between AIRSENS and fan.
- ② RF version: No cables between AIRSENS RF and REC. AIRSENS RF. Final wiring between receiver and fan.
- ③ WiFi version: No cables between AIRSENS WIFI and mobile monitorization device. Wiring between sensor and ventilation unit.



The new AirSens range offers a minimalist design patented by S&P so it can easily integrate into different ambients.

RECOMENDATIONS OF USE

Use	COMMERCIAL / SERVICES SECTOR							RESIDENTIAL			
	Office	Meeting room	Private office	Restaurant	Shop	Gym	Classrooms	Kitchen	Living room	Bedroom	Bathroom
AIRSENS CO2	●	●	●	●	●	●	●		●	●	
AIRSENS VOC	●	●	●	●	●			●	●	●	●
AIRSENS RH						●		●			●

● Excellent ● Good

TECHNICAL CHARACTERISTICS

Standard version

Model	Electrical supply	Power (W)	Relay	Analog output	Lecture range	IP protection	Dimensions LxWxH (mm)
AIRSENS CO2	100-240 VAC 50/60Hz	0,7W	3A 250 VAC	0-10 V 2-10 V	450-2000 ppm (NDIR technology)	IP30	122x23x89
AIRSENS VOC					450-2000 ppm		
AIRSENS RH					0-100%		

RF version

Wireless radio frequency communication (868.3MHz) between the AIRSENS RF transmitter and the REC. AIRSENS RF receiver. Each receiver can receive up to 4 signals simultaneously allowing the control of the indoor air quality in different rooms.

Model	Electrical supply	Power (W)	Relay	Analog output	Lecture range	IP protection	Dimensions LxWxH (mm)
AIRSENS RF CO2	100-240 VAC 50/60Hz	0,7W	3A 250 VAC	0-10 V 2-10 V	450-2000 ppm (NDIR technology)	IP30	122x23x89
AIRSENS RF VOC					450-2000 ppm		
AIRSENS RF RH					45-100%		
REC.AIRSENS RF					Up to 4 signals from AIRSENS RF units		135x31x77

WIFI version

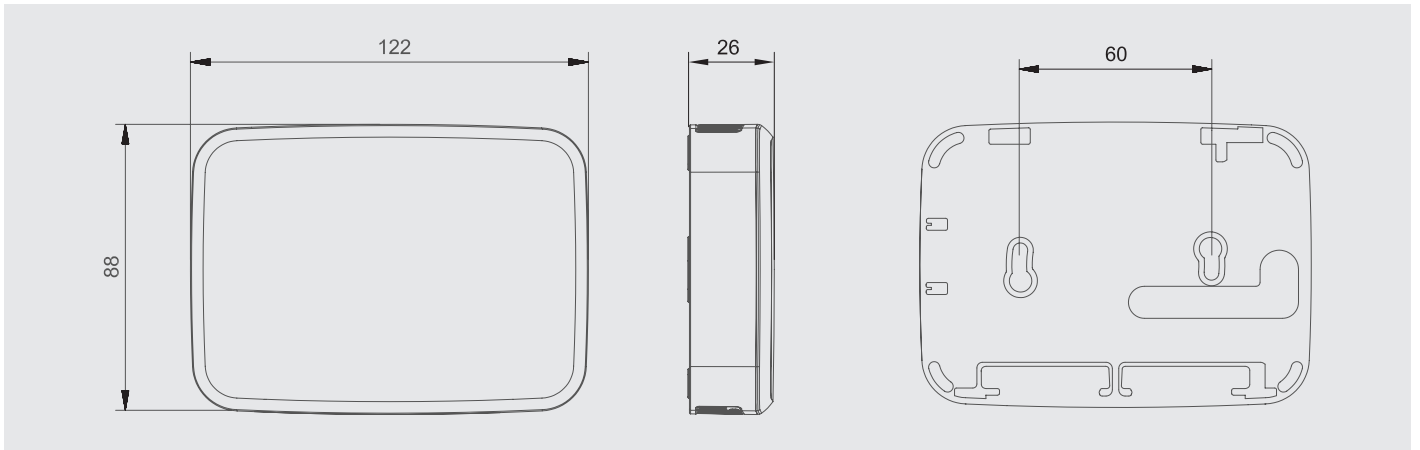
IAQ remote monitorization through WiFi communication (2,4GHz) and S&P CONNECTAIR® platform.

All models include relative humidity and temperature reading.

Ventilation unit control through relay output or analogic (0-10V/2-10V).

Model	Electrical supply	Power (W)	Relay	Analog output	Lectures	Lecture range	IP protection	Dimensions LxWxH (mm)
AIRSENS WIFI CO2	100-240 VAC 50/60Hz	0,7W	3A 250 VAC	0-10 V 2-10 V	CO2/RH/T	CO2: 450-2000 ppm (NDIR technology) VOC: 450-2000 ppm (Relative CO2 equivalent, CMOS technology) RH: 45-100% T: 0-50°C	IP30	122x23x89
AIRSENS WIFI VOC					VOC/RH/T			
AIRSENS WIFI RH					RH/T			

DIMENSIONS (mm)



ELECTRONIC BOARD

