

Technical Data Sheet

CODE 12010

ARIETT LL I

Centrifugal duct fans for flush mounting



Certifications



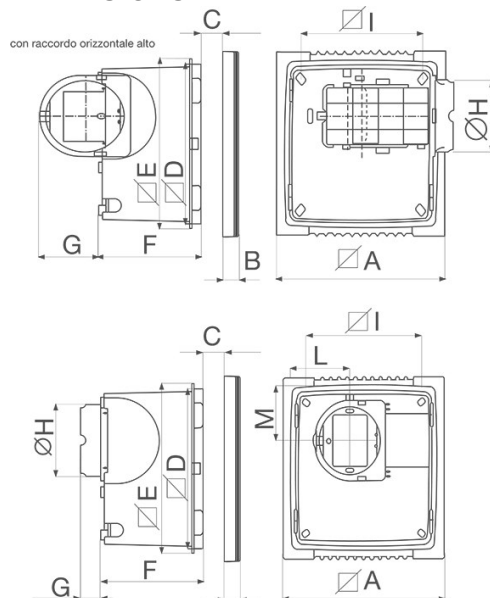
IMQ Performance



TECHNICAL AND PERFORMANCE DATA

Frequency (Hz)	50	Ø Discharge hole (mm)	96,5
Insulation class	II°	Voltage (V)	230
IP	X4	Weight (Kg)	1,9
Max absorbed current (A)	0,13	Max airflow (l/s)	uscita:posteriore 22,2 laterale 19,4
Max absorbed power (W)	19	Max airflow (m³/h)	80
Max absorbed power at Max speed (W)	19	Max pressure (mmH2O)	11
Max ambient temperature for continuous operation (°C)	40	Max pressure (Pa)	108
Nominal diameter (mm)	100	RPM	2360
		RPM side air outlet - max speed	2460

DIMENSIONS



Size A (mm)	252
Size B (mm)	23
Size C (mm)	65
Size D (mm)	214,5
Size E (mm)	228
Size F (mm)	135,3
Size G (mm)	31,5/76,7
Size H (mm)	Ø
	96,5
Size I (mm)	180
Size L (mm)	92
Size M (mm)	76

PER INFORMAZIONI / FOR INFORMATION

ITALY

Pre Sales:
prevendita@vortice-italy.com
After Sales:
postvendita@vortice-italy.com

UNITED KINGDOM & REP. OF

IRELAND
Sales Dept:
sales@vortice.ltd.uk
Technical Dept:
technical@vortice.ltd.uk

OTHER COUNTRIES

Sales Dept:
export@vortice-italy.com
After Sales:
after-sales@vortice-italy.com

Technical Data Sheet

CODE 12010

ARIETT LL I

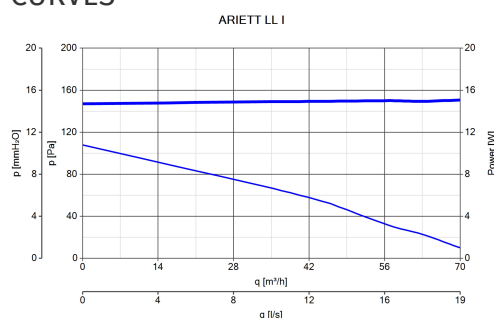
Centrifugal duct fans for flush mounting



DESCRIPTION

- Material: UV resistant plastic (prevents ageing caused by exposure to sunlight).
- Nominal diameter: 100 mm
- Motor with thermal overload protection and shaft turning in ball bearings.
- Maximum air flow, rear: 80 m³/h
- Maximum air flow, side: 70 m³/h
- Vertical outlet port supplied as standard with spigot positionable horizontally by means of diverter.
- Rear outlet port equipped with non-return damper.
- IMQ SAFETY and IMQ PERFORMANCE certifications
- Vortice speed controller.

CURVES



ACCESSORIES



C 1.5 (COMANDO EL. 1.5 A)

Code 12966



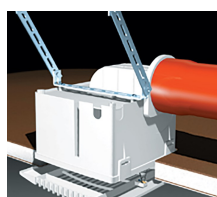
SCNRB I

Code 12971



KIT CONTROSOFFITTATURE

Code 22823



RACCORDO ORIZZONTALE ALTO

Code 22841



DEVIATORE DI FLUSSO M 10/4

Code 22310



KIT SCB (TRASF.E.C.)

Code 22481

PER INFORMAZIONI / FOR INFORMATION

ITALY

Pre Sales:
prevendita@vortice-italy.com
After Sales:
postvendita@vortice-italy.com

UNITED KINGDOM & REP. OF

IRELAND
Sales Dept:
sales@vortice.ltd.uk
Technical Dept:
technical@vortice.ltd.uk

OTHER COUNTRIES

Sales Dept:
export@vortice-italy.com
After Sales:
after-sales@vortice-italy.com

