



Static (without fan) high efficiency heat recovery units (up to 94%). The low profile and light weight allow installation in ceiling voids, in single dwelling houses or multi-dwelling blocks.
 EPP material body with easy access via turnbuckle latches, with pivoting spigots at 90°, G4 filter (ISO coarse 65%, at 210 m³/h) during the extraction and M5 (ISO ePM10 50%, at 210 m³/h) during the impulsion.

The CADS-FLEXEO BP version includes automatic or manual 100% bypass, whose design helps to maintain the low profile of the heat recovery unit, thus allowing it to be perfectly installed above false ceilings. It includes remote control to activate the boost function, the by-pass and the reset filter alarm.



LOW PROFILE

Specific applications



Multi dwelling blocks



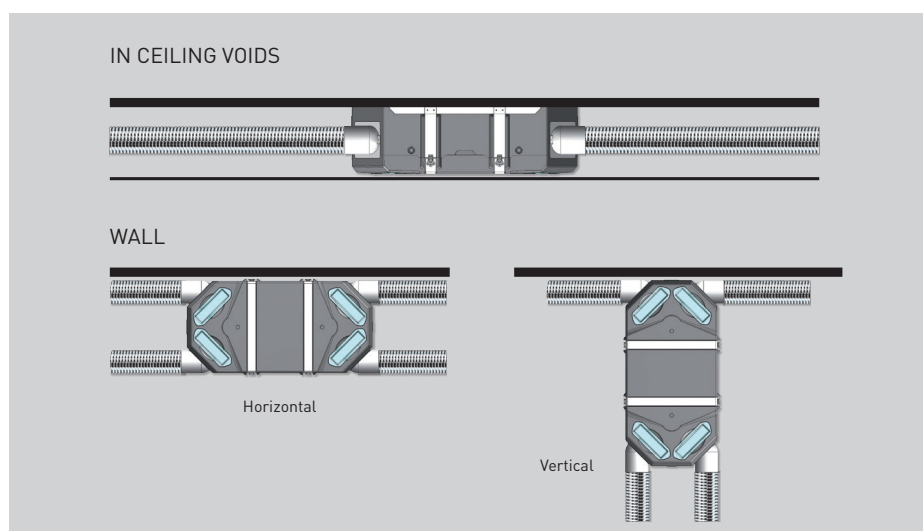
Single dwellings



Heat recovery unit



CADS-FLEXEO BP version



Alternative fitting



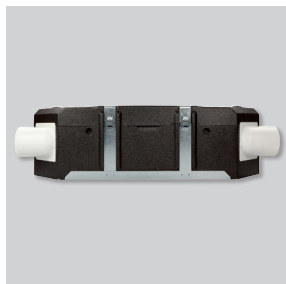
**MANDO CADS FLEXEO
 MANDO CADS FLEXEO BP
 (optional accessory)**

Remote control. Functions:

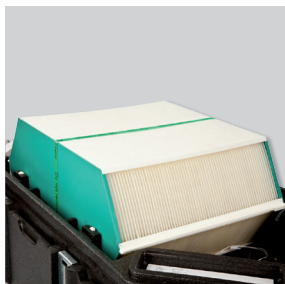
- Boost: to regulate ALIZE extraction valve in the kitchen, and the RMME damper in the living room.
- Clogged filter alarm.
- Manual by-pass, 8 hours (only in MANDO CADS FLEXEO BP model).



Quick and easy installation and anchoring via a set of clips that can be immediately adjusted.



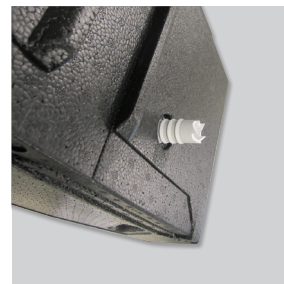
Very compact - Low Profile
 Suitable for installation in ceiling voids.



High-efficiency heat exchanger.



CADS-FLEXEO BP Version



Condensation drain.



G4 filter (ISO coarse 65%, at 210 m³/h) and M5 (ISO ePM10 50%, at 210 m³/h). Easy access to G4 and F5 filters.



Multi-position outlets, pivoting at 90°, which facilitate the installation process.



Turnbuckle latches for secure and air tight casing.

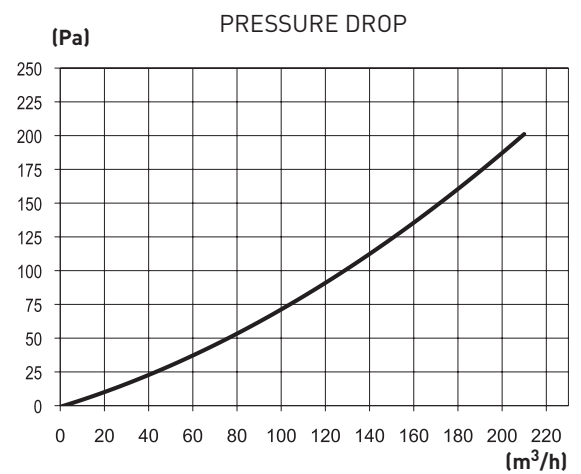
TECHNICAL CHARACTERISTICS

Model	Efficiency %	Maximum airflow (m ³ /h)
CADS-FLEXEO 210	94	210
CADS-FLEXEO 210 BP	94	210

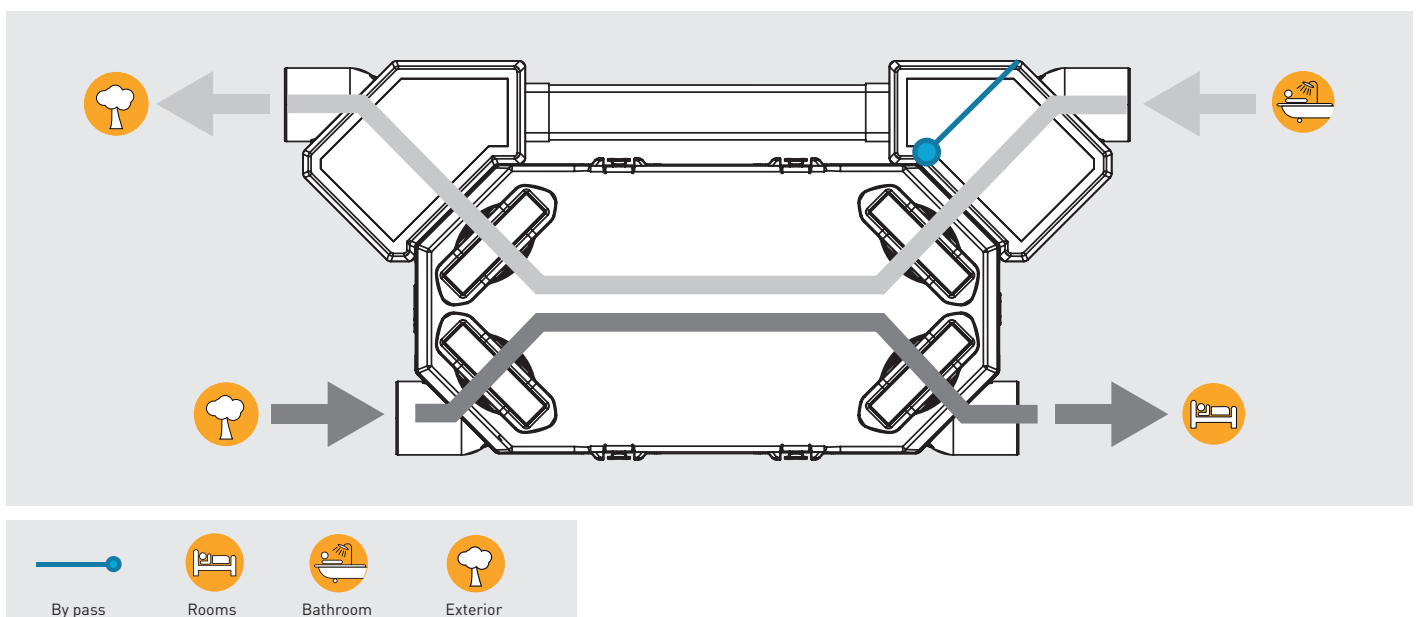
REMOTE CONTROL CONSUMPTION (OPTIONAL ACCESSORY)

Model	Voltage (V)	Absorbed power (W)
CADS-FLEXEO 210	230	<1
CADS-FLEXEO 210 BP	230	<1

CHARACTERISTIC CURVES



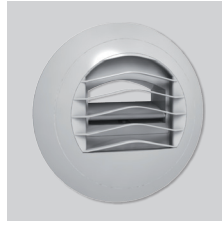
AIRFLOW DIRECTION



MOUNTING ACCESSORIES



KIT M5/G4 FLEXEO
 Replacement set of M5 and G4 filter.



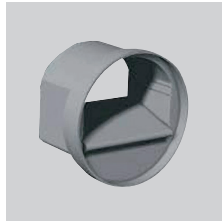
**BARJ
 BARP**
 Self-adjusting calibrated extraction valves.



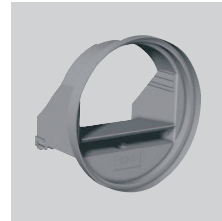
BDOP
 Supply and extraction.



RDR
 Self-adjusting damper (50-250 Pa) that, fitted inside the duct, maintains constant airflow.



RD BP
 Specific low-pressure (20-100 Pa) and self-adjusting damper with sleeve to fit directly into the duct. 80mm diameter. Airflow: 15 or 30 m³/h.



RD BP SM
 Specific low-pressure (20-100 Pa) and self-adjusting damper without sleeve to fit directly into the sleeve of the BDOP. 80mm diameter. Airflow: 15 or 30 m³/h.



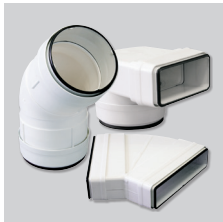
RMME
 Self-regulating double-flow damper.



GPR-ISO
 Insulated rigid duct.



**GP
 GPX
 GP-PRO
 GP-ISO**
 Insulated PVC ducts.



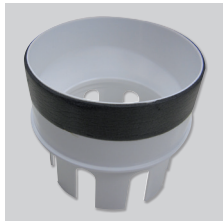
**TUBPLAV
 TUBPLA**
 Self-extinguishing rectangular ducts with or without gasket.



TAT
 Air inlet grille under roof.



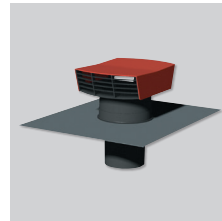
TAP
 Wall mounted air inlet grille.



ADRF 100/80
 Reduction to connect rigid duct to spigots for flexible ducts.



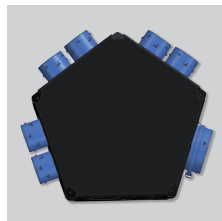
PAF
 Wall outlet grille.



CT
 Roof cowl.



**PLENUM UNI EX
 5P/125**
 Insulated extraction plenum of 125mm diameter, 1 Kitchen spigot of 125mm diameter and 4 sanitary spigots of 80mm diameter.



**PLENUM UNI
 6P/125**
 Insulated supply plenum of 125mm diameter and 6 spigots for dry areas (living room, dining room, rooms) of 80mm diameter.

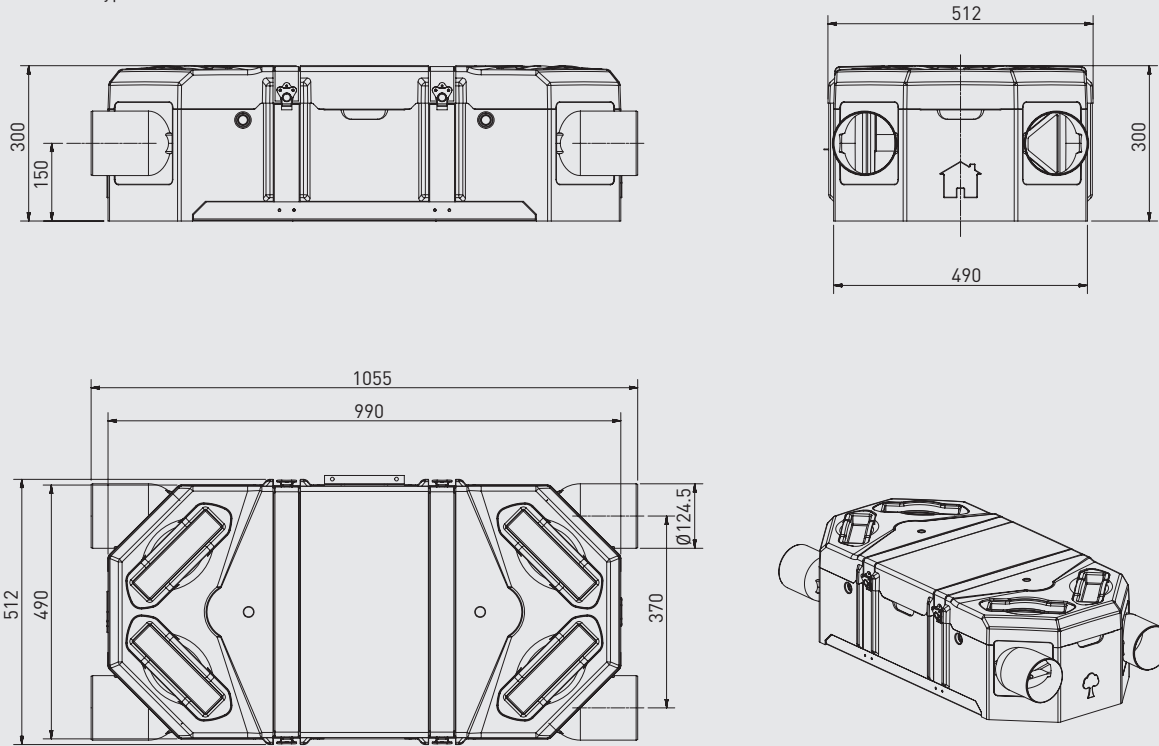
ELECTRICAL ACCESSORIES



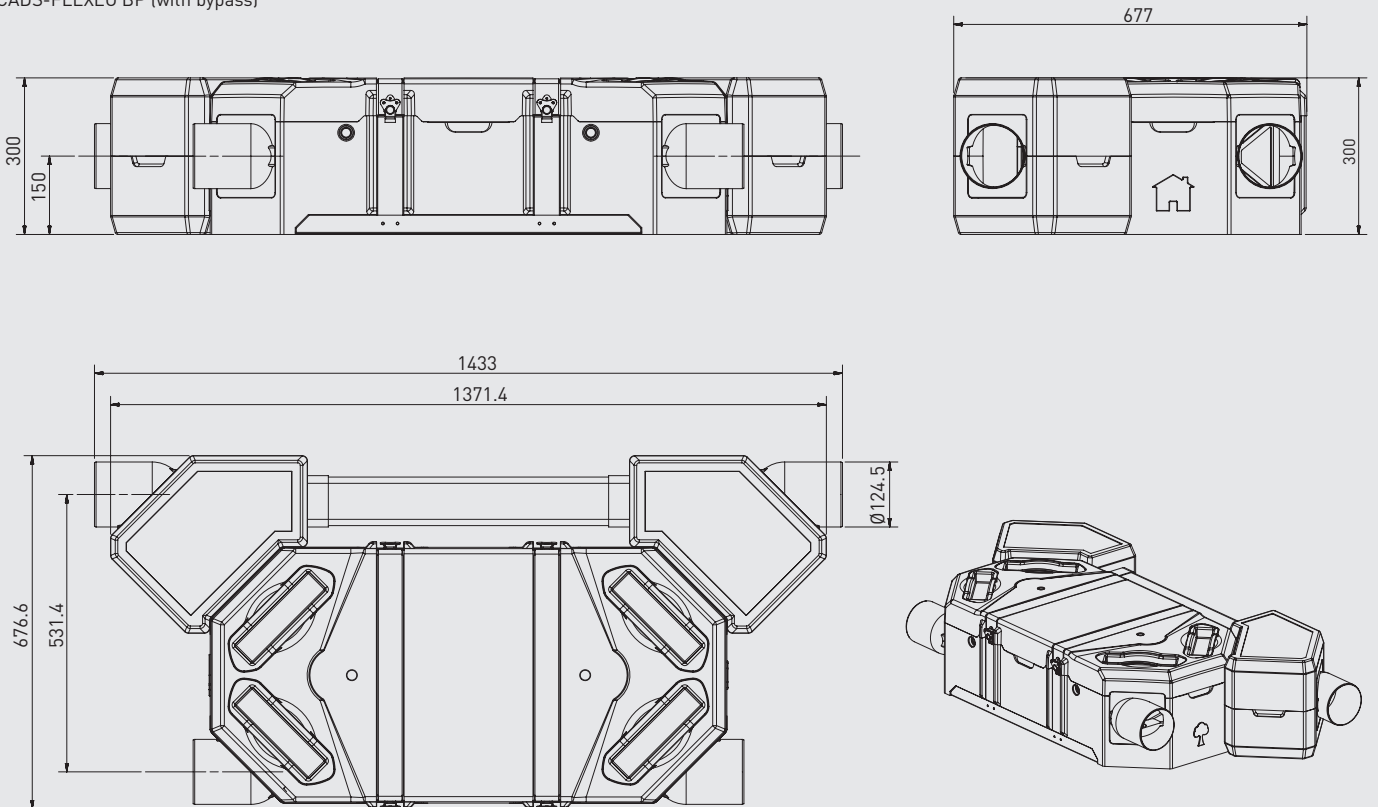
**MANDO CADS FLEXEO
 MANDO CADS FLEXEO BP**

DIMENSIONS (mm)

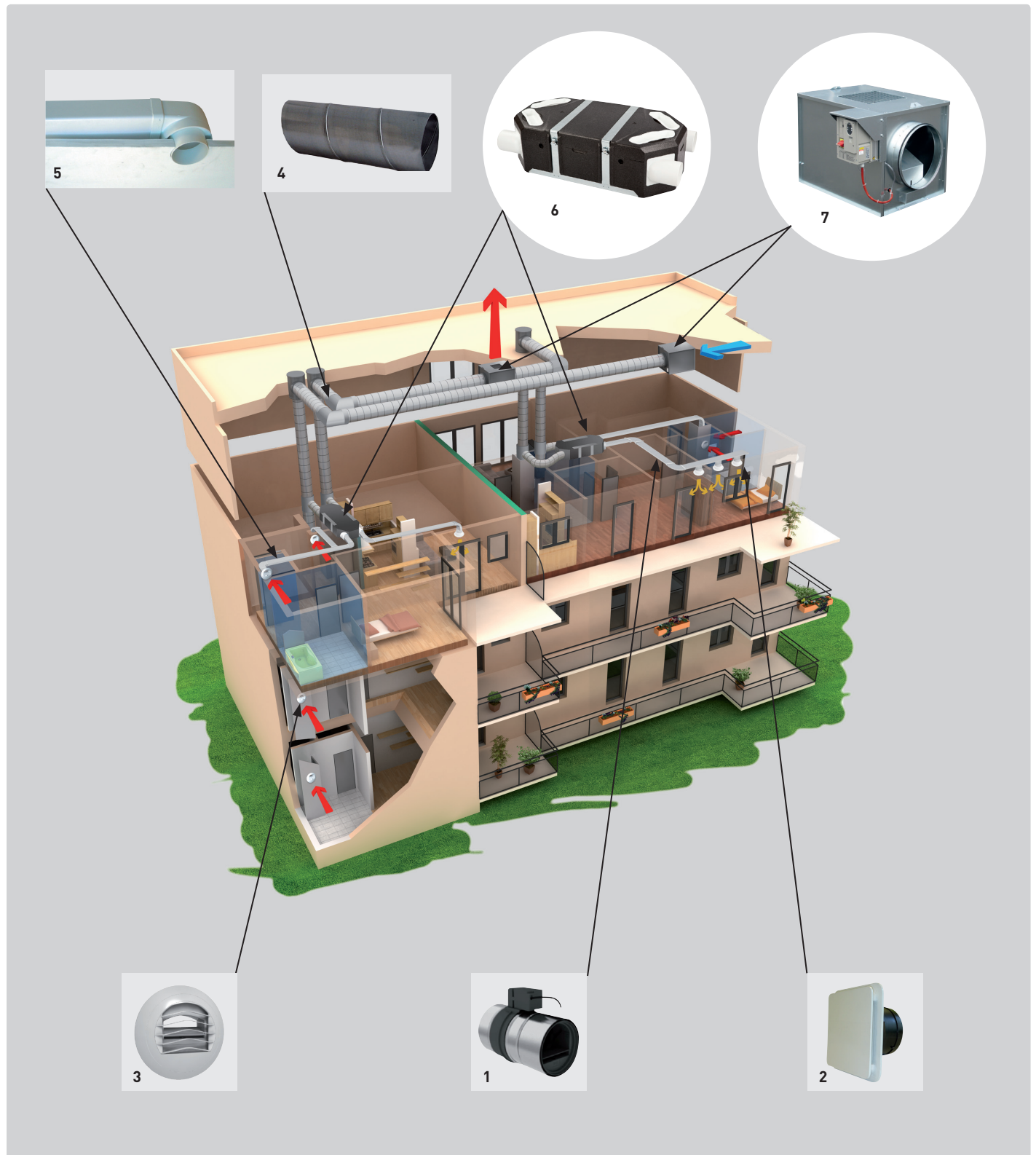
CADS-FLEXEO (without bypass)



CADS-FLEXEO BP (with bypass)



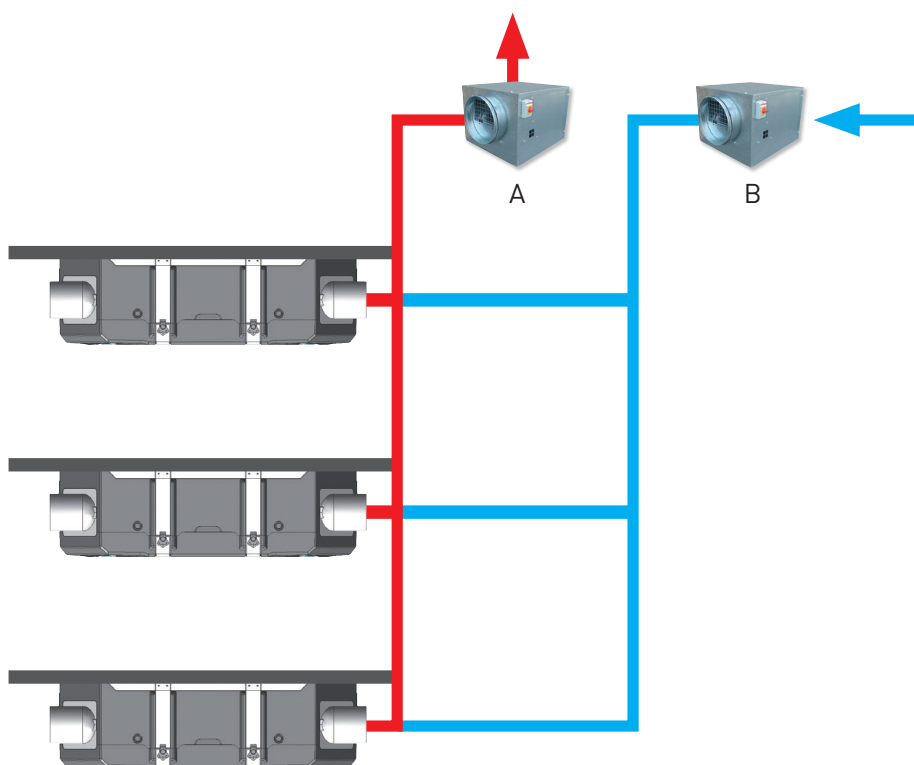
CADS-FLEXEO SERIES - EXAMPLE OF INSTALLATION IN COLLECTIVE DWELLINGS



1. Double-flow damper RMME.
2. Supply valves BDOP.
3. Self-adjusting electrical extraction valves BAR E
4. Ducts and circular metallic accessories.
5. Self-extinguishing rectangular ducts.
6. CADS-FLEXEO Series.
7. CACB-N ECOWATT and/or CACT-ECOWATT inlet box and outlet box.

INSTALLATION IN COLLECTIVE DWELLINGS

A centralised extract fan (A) extracts the air from the whole building.
 A centralised supply fan (B) blows air into the whole building.
 The heat exchanger is located in each dwelling, optimising the system efficiency.



INSTALLATION IN COMMERCIAL AREAS

A centralised extraction fan (A) extracts the air from the entire premises.
 A centralized supply fan (B) blows outside air into the entire premises.
 The heat exchanger is located in each sector within the premises, optimising the system efficiency.

