



## CE / CT Centrifugal Fans

**Compact and powerful fan for your professional environment**

- High-Performance
- Compact design
- Simple installation in any position
- Maintenance-free and reliable

[Find more details in our online catalogue](#)

### High performance

The CE/CT series of **centrifugal fans** are designed for **indoor** use with stable power performance for **extract** or **supply** air.

### Compact design

The CE/CT fan has a **compact form factor** and can be installed in **any required position**. This supports various applications (**commercial, industrial** and **residential**).

## Certifications



Ecodesign (ErP) compliant

## Features

### Construction

CE/CT fan casing made of **galvanised** sheet steel, corrosion **class C3**. Shape of the casing designed to obtain high efficiency.

CE fans are equipped with **terminal box IP44** to simplify wiring process on site. CT fans are equipped with **cable** to connect to the external terminal box (separate accessory).

### Impeller

Single inlet **radial** impellers with **forward curved** blades. Made of **lightweight PP** for sizes 125/160 and **galvanised sheet steel** for bigger sizes. All impellers **dynamically balanced** and paired with corresponding external rotor motors.

### Motor

CE/CT fans are equipped with **AC external rotor motor**, insulation **class B**. All motors are supported by **long-life** ball bearings.

### Motor protection

CE Fans have **integrated thermal protection** with **manual (electrical) reset**.

CT Fans have **integrated thermal contact** with **external leads** for connection to a **motor protection** device (separate accessory).

### Control

All fans are controlled by **5-step** or **stepless** speed regulator provided as accessory. Speed regulation can be combined with timer, thermostat, hygrostat, etc. by using wide range of electrical accessories.

### Installation

Mounting of the CE/CT fans possible **indoor** in **any mounting position**.

CE models used standard inlet and outlet flanges to maximise adaptability with corresponding **FK** fast clamps.

## Technical parameters

### Nominal data

Voltage (nominal)	400	V
Frequency	50	Hz
Phases	3~	
Input power	504	W
Input power kW	0.504	kW
Input current	0.892	A
Impeller speed	1,319	rpm
Air flow	max 1,922	m³/h
Temperature of transported air	max 70	°C
Max temperature of transported air, when speed controlled	56	°C

### Sound data

Sound pressure level at 3m (20m² Sabin)	52	dB(A)
---	----	-------

### Protection/Classification

Enclosure class, motor	IP54
Insulation class	F

### Data according to ErP

ErP ready	ErP 2018
-----------	----------

### Dimensions and weights

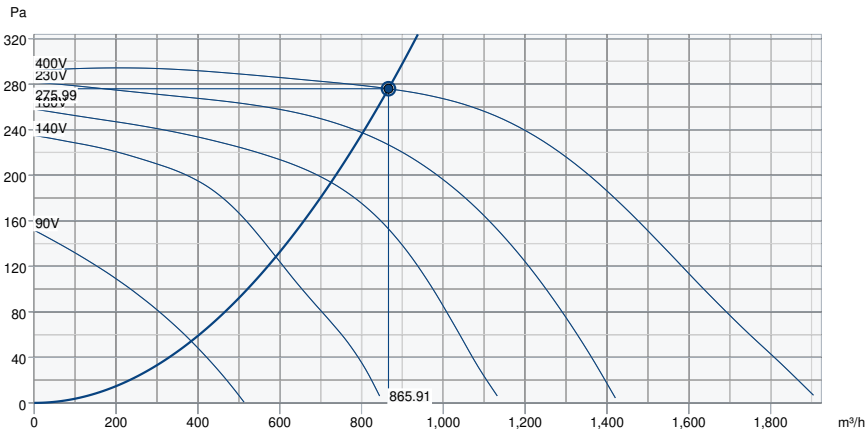
Duct dimension; Circular, inlet	250	mm
Duct dimension, outlet (height x width)	150 x 300	mm
Weight	11.5	kg

### Others

Duct connection type	Circular
Motor type	AC

Performance

Performance curve



Hydraulic data

Required air flow	866 m³/h
Required static pressure	276 Pa
Working air flow	866 m³/h
Working static pressure	276 Pa
Air density	1.204 kg/m³
Power	220.9 W
Fan control - RPM	1,440 rpm
Current	0.61 A
SFP	0.918 kW/m³/s
Control voltage	400.0 V
Supply voltage	400 V

Sound power level		63	125	250	500	1k	2k	4k	8k	Total
Inlet	dB(A)	67	65	71	63	67	67	65	61	76
Outlet	dB(A)	64	60	69	69	72	68	67	64	77
Surrounding	dB(A)	44	40	47	50	53	54	51	53	60
Sound pressure level at 3m (20m² Sabine)	dB(A)	-	-	-	-	-	-	-	-	53
Sound pressure level at 3m free field	dB(A)	-	-	-	-	-	-	-	-	39

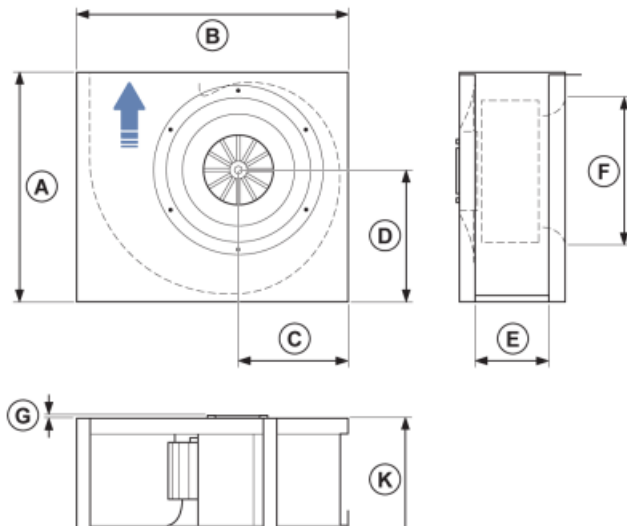
AMCA Certified Rating statements

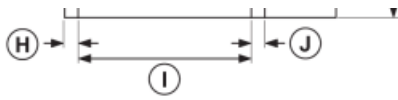
- Catalogue Version:

## Ecodesign

Product	
Trade name	Systemair
Product name	CT 225-4 Centrifugal fan
Ecodesign	
ErP compliance	2018
Unit category	NRVU
Drive	External MSD or VSD
Unit type	UVU
Heat recovery type	None
Temperature ratio (UVU)	Not applicable
qv nom	0.18 m <sup>3</sup> /s
P nom	0.148 kW
Ps nom	254 Pa
Fan efficiency	31 %
External Leakage	5 %
Sound power (LWA)	53 dB(A)

## Dimension

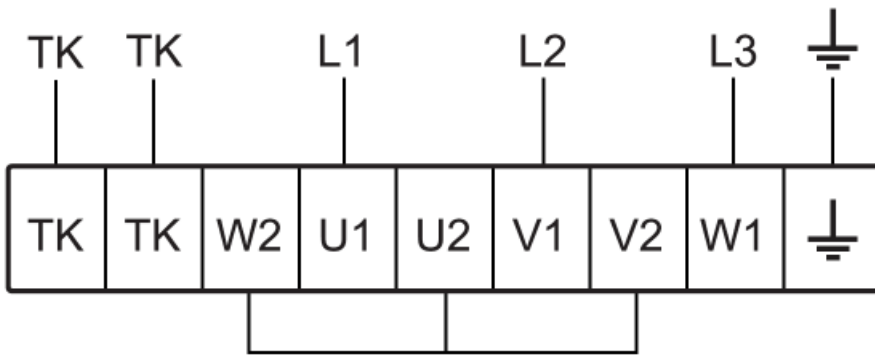




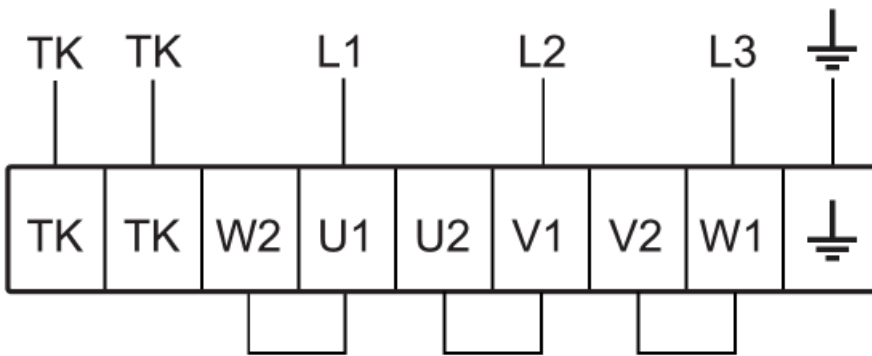
	A	B	C	D	E	ØF	G	H	I	J	K
CT 225-4	369	445	180	211	147	234	6	25	280	25	198
CT 225-6	369	445	180	211	147	234	40	25	280	25	198
CT 250-4	412	492	198	239	167	261	8	26	315	26	218
CT 280-4	517	547	247	298	203	326	58	26	357	26	254
CT 315-4	517	615	247	298	203	326	58	26	400	26	254

Wiring

400V 3~



230V 3~



## Accessories

- RTRD 2 Speed Contr. Systemair (5941)
- VKK-250 Back draft damper (1627)
- CWK 250-3-2,5 Duct cooler,circ (30024)
- FGR 250 Filter cassette (1815)
- LDR 30-15 Silencer (5068)
- VBR 40-20-2 Water heating batt (5463)
- RTRDU 2 Speed contr. Systemair (5945)
- Safety switch 3-pole grey (210680)
- FFR 200 Filter cassette (1773)
- ISE 225/250 Flexible connect. (5108)
- RSK-200 Back draft damper (5602)

## Documents

- [INSTALLATION\\_OPERATION\\_AND\\_MAINTENANCE\\_INSTRUCTION\\_CE\\_CT\\_EN\\_006.PDF](#)
- [COMMISSIONING\\_RECORD\\_FANS\\_EN.PDF](#)