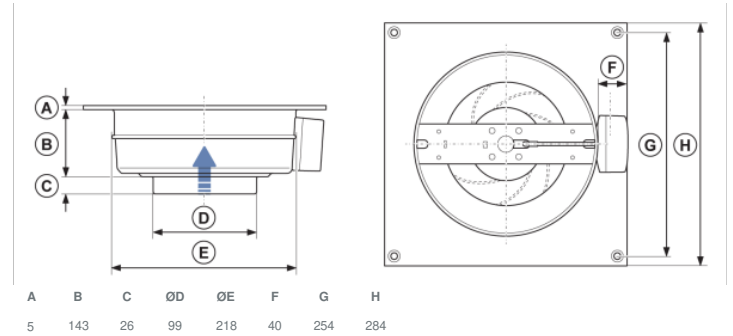


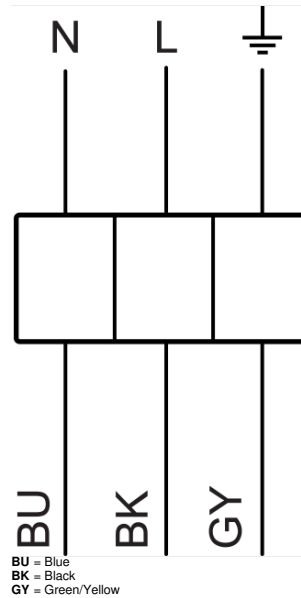
Technical parameters

Nominal data	
Voltage (nominal)	230 V
Frequency	50 Hz
Phases	1~
Input power	29 W
Input current	0.17 A
Impeller speed	2,465 rpm
Air flow	max 200 m ³ /h
Temperature of transported air	max 70 °C
Max temperature of transported air, when speed controlled	70 °C
Sound data	
Sound pressure level at 3m (20m ² Sabin)	32 dB(A)
Protection/Classification	
Enclosure class, motor	IP44
Insulation class	B
Data according to ErP	
Energy class, Basic unit	F
Energy class, Local demand	C
ErP ready	ErP 2018
Dimensions and weights	
Duct dimension; Circular, inlet	100 mm
Duct dimension; Circular, outlet	100 mm
Weight	2.1 kg
Others	
Duct connection type	Circular
Motor type	AC

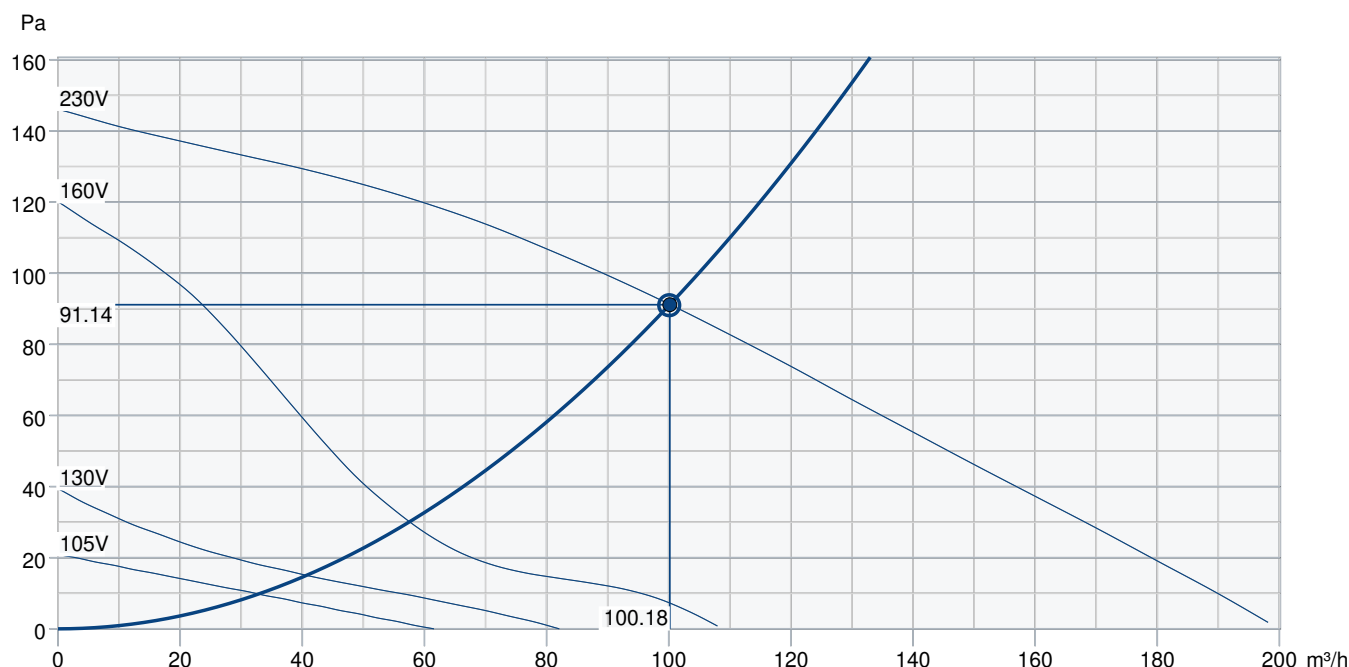
Dimension



Wiring



Performance curve



Hydraulic data										
Required air flow	100 m³/h									
Required static pressure	91 Pa									
Working air flow	100 m³/h									
Working static pressure	91 Pa									
Air density	1.204 kg/m³									
Power	28.2 W									
Fan control - RPM	2,504 rpm									
Current	0.20 A									
SFP	1.013 kW/m³/s									
Control voltage	230.0 V									
Supply voltage	230 V									
Sound power level		63	125	250	500	1k	2k	4k	8k	Total
Inlet	dB(A)	48	59	61	53	52	46	35	21	64
Outlet	dB(A)	23	44	51	54	55	51	41	30	59
Surrounding	dB(A)	20	23	26	29	38	29	16	<10	39
Sound pressure level at 3m (20m² Sabine)	dB(A)	-	-	-	-	-	-	-	-	32
Sound pressure level at 3m free field	dB(A)	-	-	-	-	-	-	-	-	18
Accessories										

Accessories

RE 1,5 Speed control (5000)

REPT 6 Digital regulator (5698)

REV-3POL/03-7,5kW R/Y (33978)

VKK-100 Back draft damper (1623)

DTV500A (96807)

IGK-100 Wall Grid (1630)

RT 0-30 Room Thermostat (5151)

T 120 Timer (5165)

CWK 100-3-2.5 Duct cooler_circ (30019)

FGR 100 Filter cassette (1802)

LDC 100-1200 Silencer (5996)

LDC 100-600 Silencer (5188)

RSK-100 Back draft damper (5597)

VBC 100-3 Water heating batt (9838)

REE 1 Speed control (5314)

REU 1.5 Speed control (5004)

SG 100 Protection guard (5606)

CO2RT-R-D Transmitter (6993)

HR1 Room Humidistat (215150)

Presence detector/IR24-P (6995)

Safety switch 2-pole grey (210679)

CBM 100-0,6 230V/1 Duct heater (5479)

FFR 100 Filter cassette (1766)

FK 100 Fast clamp (1607)

LDC 100-300 Silencer (8180)

LDC 100-900 Silencer (5189)

VBC 100-2 Water heating batt (5456)

Documents

INSTALLATION_OPERATION_AND_MAINTENANCE_INSTRUCTION_K_KV_PRIO_273896_EN_008.PDF

Certificate S-mark KV 1211222.pdf

COMMISSIONING_RECCORD_FANS_EN.PDF