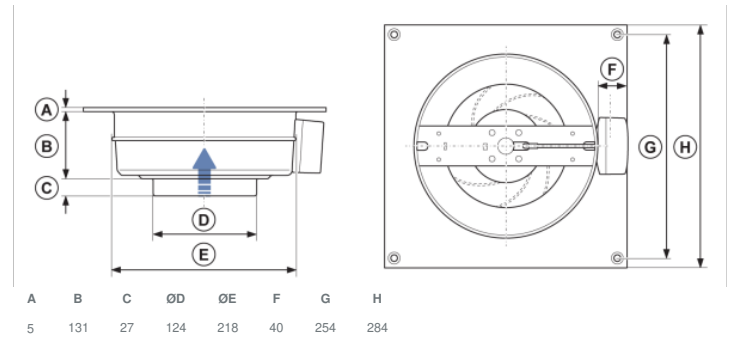


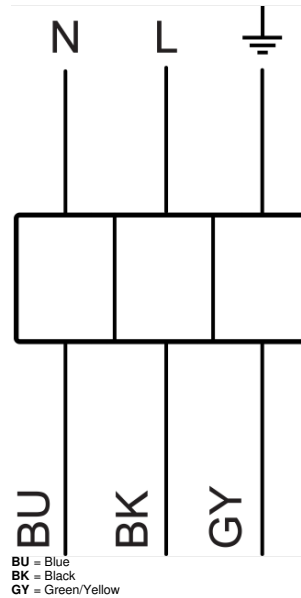
## Technical parameters

Nominal data	
Voltage (nominal)	230 V
Frequency	50 Hz
Phases	1~
Input power	29 W
Input current	0.171 A
Impeller speed	2,489 rpm
Air flow	max 219 m <sup>3</sup> /h
Temperature of transported air	max 70 °C
Max temperature of transported air, when speed controlled	70 °C
Sound data	
Sound pressure level at 3m (20m <sup>2</sup> Sabin)	38 dB(A)
Protection/Classification	
Enclosure class, motor	IP44
Insulation class	B
Data according to ErP	
Energy class, Basic unit	E
Energy class, Local demand	C
ErP ready	ErP 2018
Dimensions and weights	
Duct dimension; Circular, inlet	125 mm
Duct dimension; Circular, outlet	125 mm
Weight	2.1 kg
Others	
Duct connection type	Circular
Motor type	AC

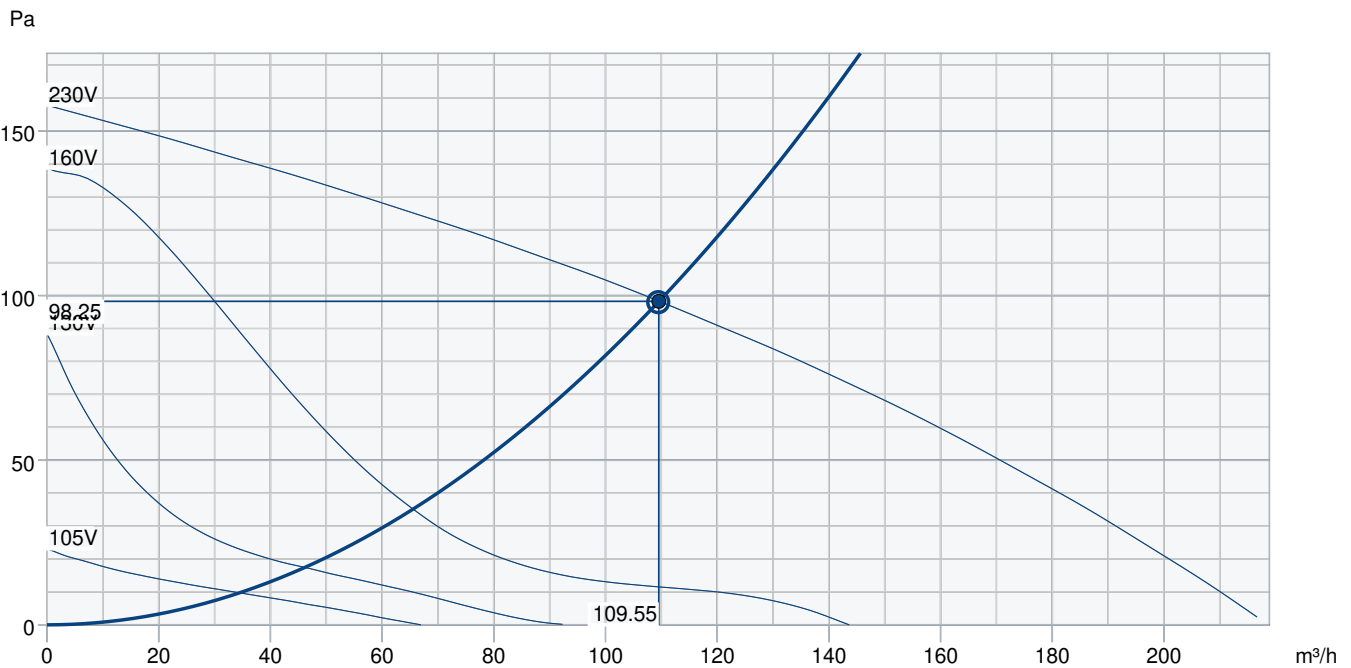
## Dimension



## Wiring



# Performance curve



Hydraulic data										
Required air flow	109 m³/h									
Required static pressure	98 Pa									
Working air flow	110 m³/h									
Working static pressure	98 Pa									
Air density	1.204 kg/m³									
Power	28.2 W									
Fan control - RPM	2,507 rpm									
Current	0.20 A									
SFP	0.927 kW/m³/s									
Control voltage	230.0 V									
Supply voltage	230 V									
Sound power level		63	125	250	500	1k	2k	4k	8k	Total
Inlet	dB(A)	37	55	56	53	52	47	31	19	61
Outlet	dB(A)	13	43	47	52	53	52	40	33	58
Surrounding	dB(A)	14	28	23	41	41	39	22	11	45
Sound pressure level at 3m (20m² Sabine)	dB(A)	-	-	-	-	-	-	-	-	38
Sound pressure level at 3m free field	dB(A)	-	-	-	-	-	-	-	-	24
Accessories										

## Accessories

- |  |   |
|--|---|
| RE 1,5 Speed control (5000)            | REE 1 Speed control (5314)              |
| REPT 6 Digital regulator (5698)        | REU 1.5 Speed control (5004)            |
| REV-3POL/03-7,5kW R/Y (33978)          | SG 125 Protection guard (5607)          |
| VKK-125 Back draft damper (1624)       | CO2RT-R-D Transmitter (6993)            |
| DTV500A (96807)                        | HR1 Room Humidistat (215150)            |
| IGK-125 Wall Grid (1631)               | Presence detector/IR24-P (6995)         |
| RT 0-30 Room Thermostat (5151)         | Safety switch 2-pole grey (210679)      |
| T 120 Timer (5165)                     | VBC 125-3 Water heating batt (9839)     |
| CBM 125-1,2 230V/1 Duct heater (5480)  | CBMF 125-1,2 230V/1 Duct heater (12242) |
| CWK 125-3-2,5 Duct cooler.circ (30021) | FFR 125 Filter cassette (1768)          |
| FGR 125 Filter cassette (1804)         | FK 125 Fast clamp (1608)                |
| LDC 125-1200 Silencer (5997)           | LDC 125-300 Silencer (53722)            |
| LDC 125-600 Silencer (5190)            | LDC 125-900 Silencer (5191)             |
| RSK-125 Back draft damper (5598)       | VBC 125-2 Water heating batt (5457)     |

## Documents

- INSTALLATION\_OPERATION\_AND\_MAINTENANCE\_INSTRUCTION\_K\_KV\_P10\_273896\_EN\_008.PDF
- Certificate S-mark KV 1211222.pdf
- COMMISSIONING\_RECCORD\_FANS\_EN.PDF