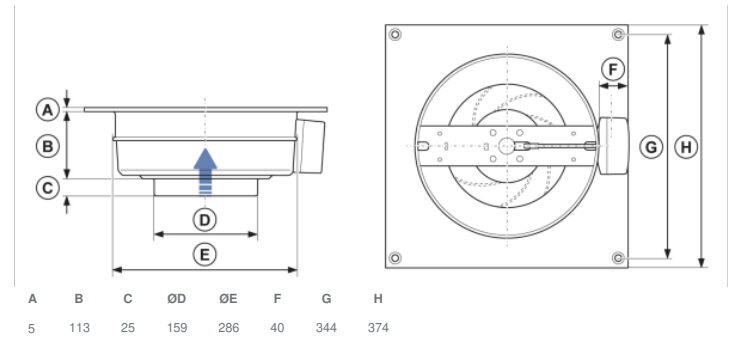


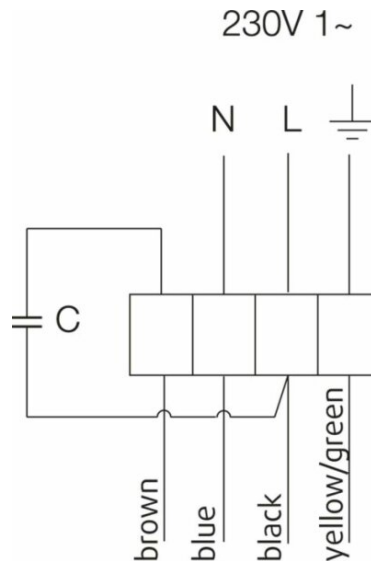
Technical parameters

Nominal data	
Voltage (nominal)	230 V
Frequency	50 Hz
Phases	1~
Input power	54 W
Input current	0.232 A
Impeller speed	2,399 rpm
Air flow	max 468 m ³ /h
Capacitance of capacitor	1.5 µF
Temperature of transported air	max 70 °C
Max temperature of transported air, when speed controlled	70 °C
Sound data	
Sound pressure level at 3m (20m ² Sabin)	45 dB(A)
Protection/Classification	
Enclosure class, motor	IP44
Insulation class	B
Data according to ErP	
ErP ready	ErP 2018
Dimensions and weights	
Duct dimension; Circular, inlet	160 mm
Duct dimension; Circular, outlet	160 mm
Weight	3.1 kg
Others	
Motor type	AC

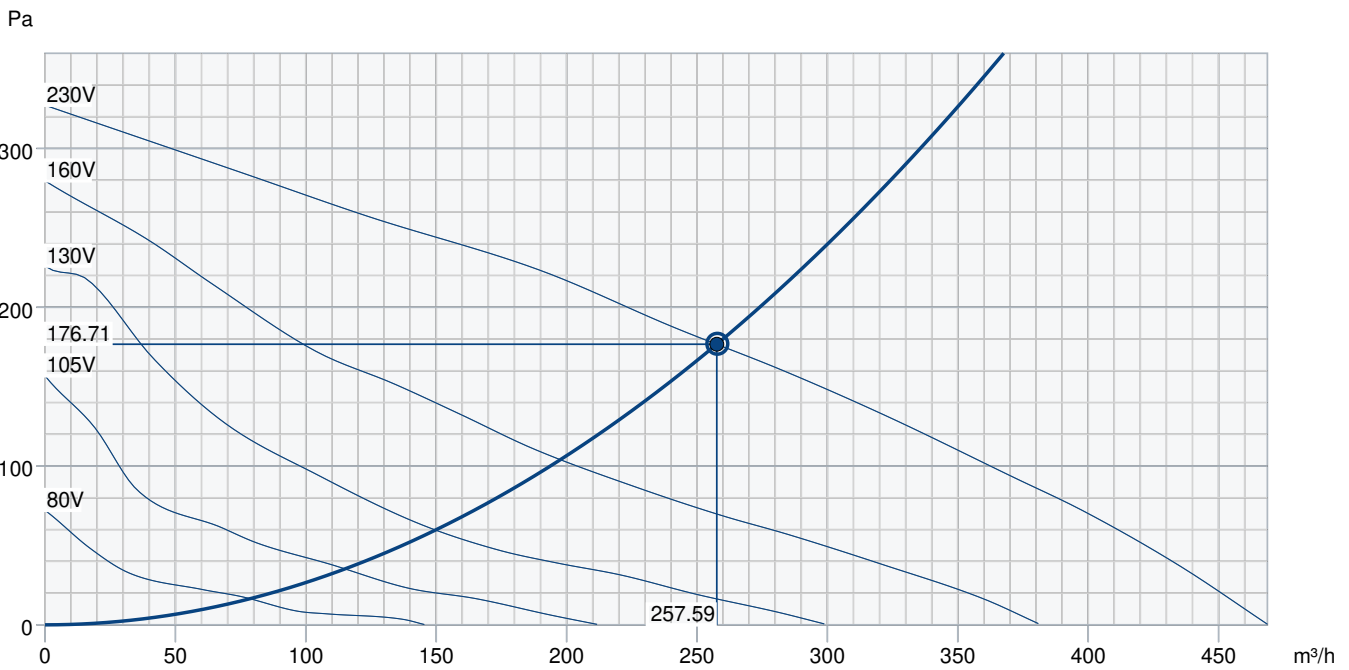
Dimension



Wiring



Performance curve



Hydraulic data

Required air flow	258 m³/h
Required static pressure	177 Pa
Working air flow	258 m³/h
Working static pressure	177 Pa
Air density	1.204 kg/m³
Power	52.8 W
Fan control - RPM	2,400 rpm
Current	0.20 A
SFP	0.738 kW/m³/s
Control voltage	230.0 V
Supply voltage	230 V

Sound power level		63	125	250	500	1k	2k	4k	8k	Total
Inlet	dB(A)	48	54	62	56	59	57	52	41	66
Outlet	dB(A)	23	35	51	56	61	62	57	45	66
Surrounding	dB(A)	22	26	30	41	44	46	40	29	49
Sound pressure level at 3m (20m² Sabine)	dB(A)	-	-	-	-	-	-	-	-	42
Sound pressure level at 3m free field	dB(A)	-	-	-	-	-	-	-	-	28

Accessories

IGK-160 Wall Grid (1632)

REE 1 Speed control (5314)

REU 1.5 Speed control (5004)

SG 160 Protection guard (5608)

CO2RT-R-D Transmitter (6993)

HR1 Room Humidistat (215150)

RT 0-30 Room Thermostat (5151)

T 120 Timer (5165)

CBMF 160-2,1 230V/1 Duct heater (12244)

FFR 160 Filter cassette (1770)

FK 160 Fast clamp (1610)

LDC 160-600 Silencer (5192)

RSK-160 Back draft damper (5601)

VBC 160-3 Water heating batt (9840)

RE 1,5 Speed control (5000)

REPT 6 Digital regulator (5698)

REV-3POL/03-7,5kW R/Y (33978)

VKK-160 Back draft damper (1625)

DTV500A (96807)

Presence detector/IR24-P (6995)

Safety switch 2-pole grey (210679)

CBM 160-2,1 230V/1 Duct heater (5482)

CWK 160-3-2,5 Duct cooler, circ (30022)

FGR 160 Filter cassette (1809)

LDC 160-300 Silencer (53108)

LDC 160-900 Silencer (5193)

VBC 160-2 Water heating batt (5458)

VK-30 Louvre shutter (5641)

Documents

INSTALLATION_OPERATION_AND_MAINTENANCE_INSTRUCTION_K_KV_PRIO_273896_EN_008.PDF

COMMISSIONING_RECCORD_FANS_EN.PDF