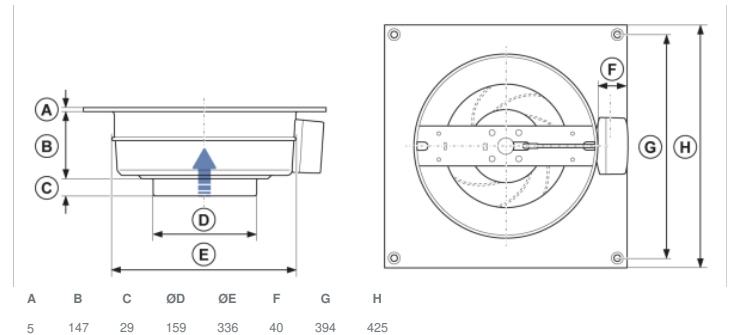


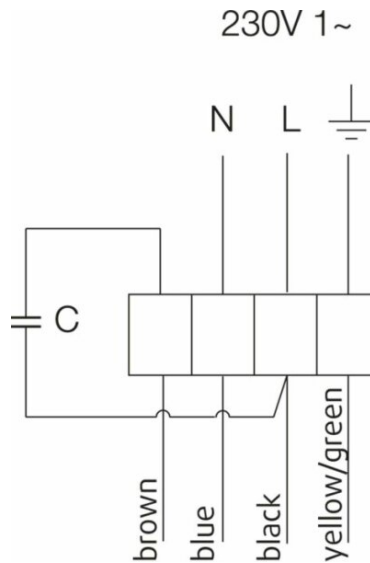
## Technical parameters

Nominal data	
Voltage (nominal)	230 V
Frequency	50 Hz
Phases	1~
Input power	102 W
Input current	0.446 A
Impeller speed	2,532 rpm
Air flow	max 799 m <sup>3</sup> /h
Capacitance of capacitor	2.5 μF
Temperature of transported air	max 70 °C
Max temperature of transported air, when speed controlled	70 °C
Sound data	
Sound pressure level at 3m (20m <sup>2</sup> Sabin)	45 dB(A)
Protection/Classification	
Enclosure class, motor	IP44
Insulation class	F
Data according to ErP	
Energy class, Basic unit	E
Energy class, Local demand	B
ErP ready	ErP 2016; ErP 2018
Dimensions and weights	
Duct dimension; Circular, inlet	160 mm
Duct dimension; Circular, outlet	160 mm
Weight	3.8 kg
Others	
Duct connection type	Circular
Motor type	AC

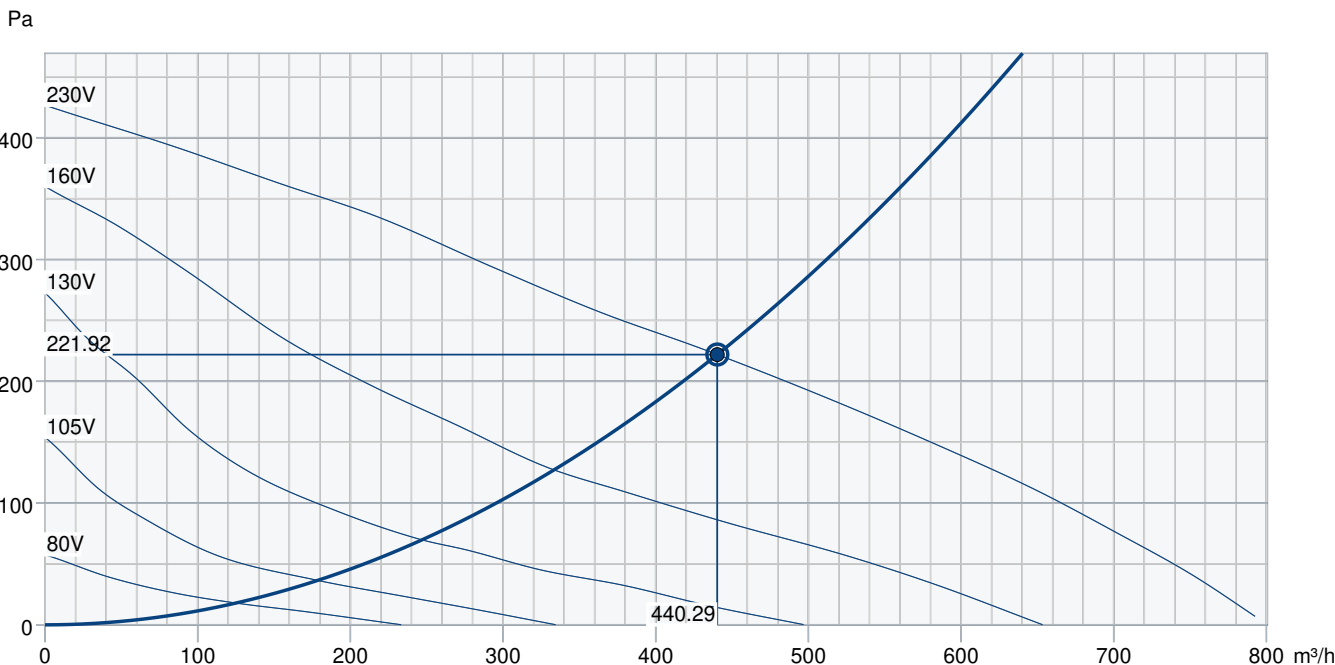
## Dimension



## Wiring



# Performance curve



Hydraulic data										
Required air flow	440 m³/h									
Required static pressure	222 Pa									
Working air flow	440 m³/h									
Working static pressure	222 Pa									
Air density	1.204 kg/m³									
Power	100.4 W									
Fan control - RPM	2,536 rpm									
Current	0.40 A									
SFP	0.821 kW/m³/s									
Control voltage	230.0 V									
Supply voltage	230 V									
Sound power level		63	125	250	500	1k	2k	4k	8k	Total
Inlet	dB(A)	53	65	69	67	66	63	59	50	74
Outlet	dB(A)	33	47	64	70	71	69	62	54	75
Surrounding	dB(A)	29	35	36	48	46	45	41	29	52
Sound pressure level at 3m (20m² Sabine)	dB(A)	-	-	-	-	-	-	-	-	45
Sound pressure level at 3m free field	dB(A)	-	-	-	-	-	-	-	-	31
Accessories										

## Accessories

- |                                         |                                         |
|-----------------------------------------|-----------------------------------------|
| IGK-160 Wall Grid (1632)                | RE 1,5 Speed control (5000)             |
| REE 1 Speed control (5314)              | REPT 6 Digital regulator (5698)         |
| REU 1.5 Speed control (5004)            | REV-3POL/03-7,5kW R/Y (33978)           |
| SG 160 Protection guard (5608)          | VKK-160 Back draft damper (1625)        |
| CO2RT-R-D Transmitter (6993)            | DTV500A (96807)                         |
| HR1 Room Humidistat (215150)            | Presence detector/IR24-P (6995)         |
| RT 0-30 Room Thermostat (5151)          | Safety switch 2-pole grey (210679)      |
| T 120 Timer (5165)                      | CBM 160-2,1 230V/1 Duct heater (5482)   |
| CBMF 160-2,1 230V/1 Duct heater (12244) | CWK 160-3-2,5 Duct cooler, circ (30022) |
| FFR 160 Filter cassette (1770)          | FGR 160 Filter cassette (1809)          |
| FK 160 Fast clamp (1610)                | LDC 160-300 Silencer (53108)            |
| LDC 160-600 Silencer (5192)             | LDC 160-900 Silencer (5193)             |
| RSK-160 Back draft damper (5601)        | VBC 160-2 Water heating batt (5458)     |
| VBC 160-3 Water heating batt (9840)     | VK-35 Louvre shutter (5642)             |

## Documents

- INSTALLATION\_OPERATION\_AND\_MAINTENANCE\_INSTRUCTION\_K\_KV\_P10\_273896\_EN\_008.PDF
- COMMISSIONING\_RECCORD\_FANS\_EN.PDF