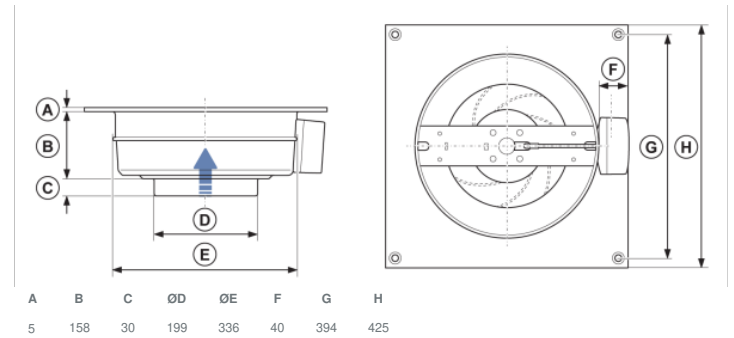


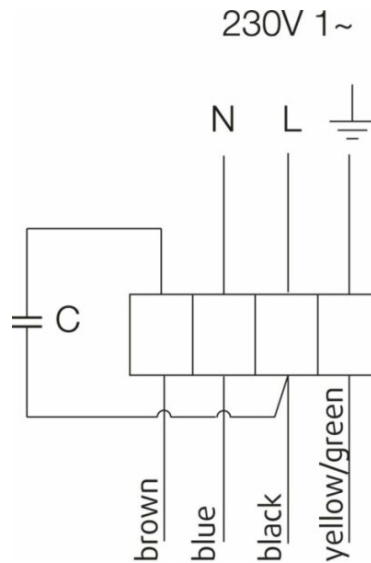
Technical parameters

Nominal data	
Voltage (nominal)	230 V
Frequency	50 Hz
Phases	1~
Input power	155 W
Input current	0.681 A
Impeller speed	2,638 rpm
Air flow	max 1,002 m ³ /h
Capacitance of capacitor	3.5 μF
Temperature of transported air	max 70 °C
Max temperature of transported air, when speed controlled	70 °C
Sound data	
Sound pressure level at 3m (20m ² Sabin)	48 dB(A)
Protection/Classification	
Enclosure class, motor	IP44
Insulation class	F
Data according to ErP	
ErP ready	ErP 2018
Dimensions and weights	
Duct dimension; Circular, inlet	200 mm
Duct dimension; Circular, outlet	200 mm
Weight	4.5 kg
Others	
Duct connection type	Circular
Motor type	AC

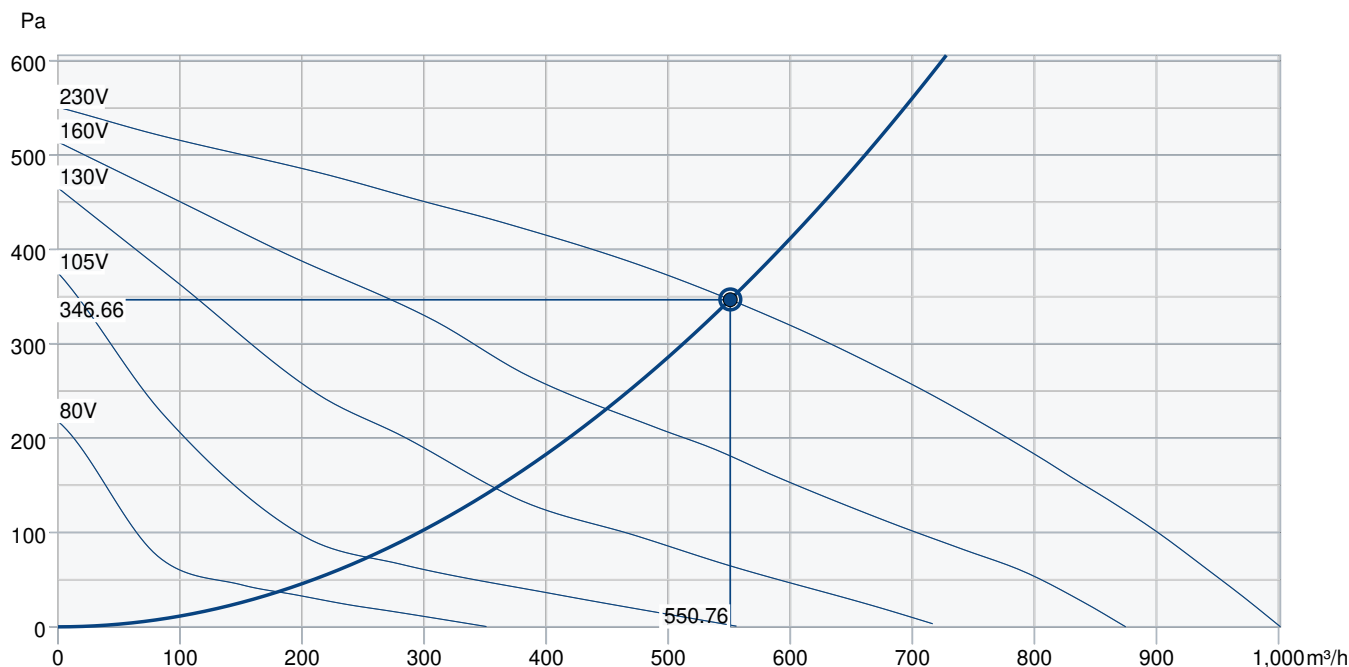
Dimension



Wiring



Performance curve



Hydraulic data										
Required air flow	551 m³/h									
Required static pressure	347 Pa									
Working air flow	551 m³/h									
Working static pressure	347 Pa									
Air density	1.204 kg/m³									
Power	151.7 W									
Fan control - RPM	2,654 rpm									
Current	0.66 A									
SFP	0.991 kW/m³/s									
Control voltage	230.0 V									
Supply voltage	230 V									
Sound power level		63	125	250	500	1k	2k	4k	8k	Total
Inlet	dB(A)	53	55	63	61	62	62	53	51	69
Outlet	dB(A)	35	40	62	63	66	66	60	55	71
Surrounding	dB(A)	24	25	41	50	49	49	39	34	54
Sound pressure level at 3m (20m² Sabine)	dB(A)	-	-	-	-	-	-	-	-	47
Sound pressure level at 3m free field	dB(A)	-	-	-	-	-	-	-	-	33
Accessories										

Accessories

RE 1,5 Speed control (5000)

REPT 6 Digital regulator (5698)

REV-3POL/03-7,5kW R/Y (33978)

VKK-200 Back draft damper (1626)

DTV500A (96807)

IGK-200 Wall Grid (1633)

RT 0-30 Room Thermostat (5151)

T 120 Timer (5165)

CBMF 200-3,0 230V/1 Duct heater (12245)

CWK 200-3-2,5 Duct cooler,circ (30023)

FGR 200 Filter cassette (1812)

LDC 200-300 Silencer (53369)

LDC 200-900 Silencer (5195)

VBC 200-2 Water heating batt (5459)

VK-35 Louvre shutter (5642)

REE 1 Speed control (5314)

REU 1.5 Speed control (5004)

SG 200 Protection guard (5609)

CO2RT-R-D Transmitter (6993)

HR1 Room Humidistat (215150)

Presence detector/IR24-P (6995)

Safety switch 2-pole grey (210679)

CBM 200-5,0 400V/2 Duct heater (5483)

CBMF 200-5,0 400V/2 Duct heater (12246)

FFR 200 Filter cassette (1773)

FK 200 Fast clamp (1611)

LDC 200-600 Silencer (5194)

RSK-200 Back draft damper (5602)

VBC 200-3 Water heating batt (9841)

Documents

INSTALLATION_OPERATION_AND_MAINTENANCE_INSTRUCTION_K_KV_PRIO_273896_EN_008.PDF

COMMISSIONING_RECCORD_FANS_EN.PDF