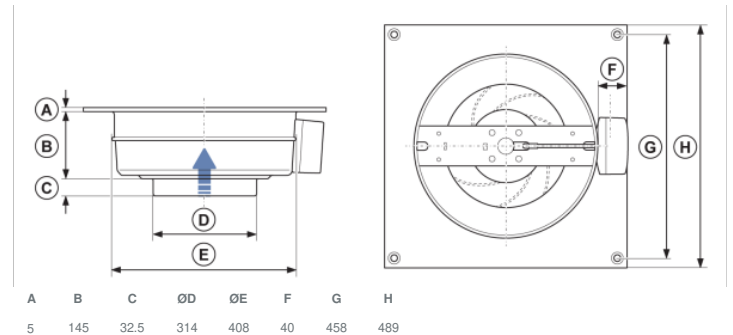


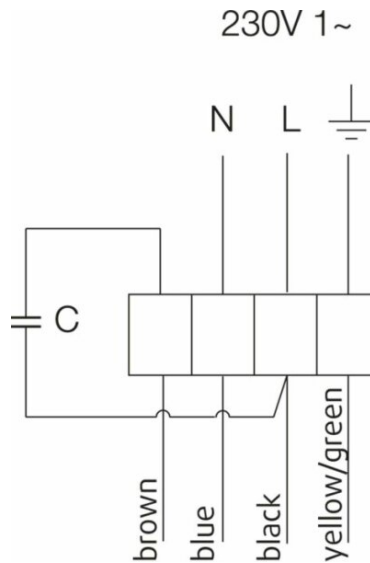
Technical parameters

Nominal data	
Voltage (nominal)	230 V
Frequency	50 Hz
Phases	1~
Input power	209 W
Input current	0.916 A
Impeller speed	2,673 rpm
Air flow	max 1,246 m ³ /h
Capacitance of capacitor	5 µF
Temperature of transported air	max 70 °C
Max temperature of transported air, when speed controlled	70 °C
Sound data	
Sound pressure level at 3m (20m ² Sabin)	43 dB(A)
Protection/Classification	
Enclosure class, motor	IP44
Insulation class	F
Data according to ErP	
ErP ready	ErP 2018
Dimensions and weights	
Duct dimension; Circular, inlet	315 mm
Duct dimension; Circular, outlet	315 mm
Weight	6.6 kg
Others	
Duct connection type	Circular
Motor type	AC

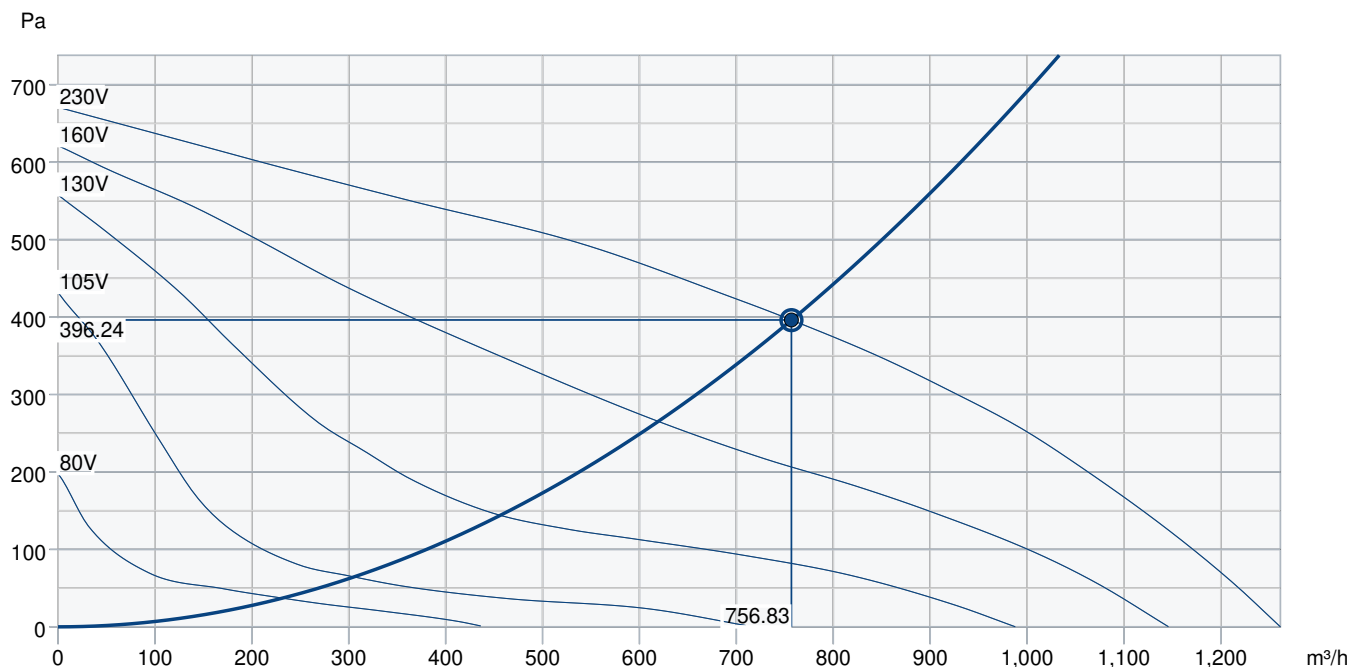
Dimension



Wiring



Performance curve



Hydraulic data										
Required air flow										757 m³/h
Required static pressure										396 Pa
Working air flow										757 m³/h
Working static pressure										396 Pa
Air density										1.204 kg/m³
Power										208.4 W
Fan control - RPM										2,675 rpm
Current										0.90 A
SFP										0.991 kW/m³/s
Control voltage										230.0 V
Supply voltage										230 V
Sound power level		63	125	250	500	1k	2k	4k	8k	Total
Inlet	dB(A)	50	62	61	63	65	63	59	57	70
Outlet	dB(A)	35	49	61	66	69	67	60	56	73
Surrounding	dB(A)	21	29	37	48	47	46	42	37	53
Sound pressure level at 3m (20m² Sabine)	dB(A)	-	-	-	-	-	-	-	-	46
Sound pressure level at 3m free field	dB(A)	-	-	-	-	-	-	-	-	32
Accessories										

Accessories

RE 1,5 Speed control (5000)
 REPT 6 Digital regulator (5698)
 REV-3POL/03-7,5kW R/Y (33978)
 VKK-315 Back draft damper (1628)
 DTV500A (96807)
 Presence detector/IR24-P (6995)
 Safety switch 2-pole grey (210679)
 TUNE-R-315-B (311905)
 CBMF 315-9,0 400V/3 Duct heater (12354)
 FFR 315 Filter cassette (1779)
 FK 315 Fast clamp (1613)
 LDC 315-900 Silencer (5197)
 VBC 315-2 Water heating batt (5461)

REE 2 Speed control (5316)
 REU 1.5 Speed control (5004)
 SG 315 Protection guard (5611)
 CO2RT-R-D Transmitter (6993)
 HR1 Room Humidistat (215150)
 RT 0-30 Room Thermostat (5151)
 T 120 Timer (5165)
 CBM 315-9,0 400V/3 Duct heater (5485)
 CWK 315-3-2,5 Duct cooler, circ (30025)
 FGR 315 Filter cassette (1818)
 LDC 315-600 Silencer (5949)
 RSK-315 Back draft damper (5604)
 VBC 315-3 Water heating batt (9844)

Documents

INSTALLATION_OPERATION_AND_MAINTENANCE_INSTRUCTION_K_KV_PRIO_273896_EN_008.PDF
 COMMISSIONING_RECCORD_FANS_EN.PDF