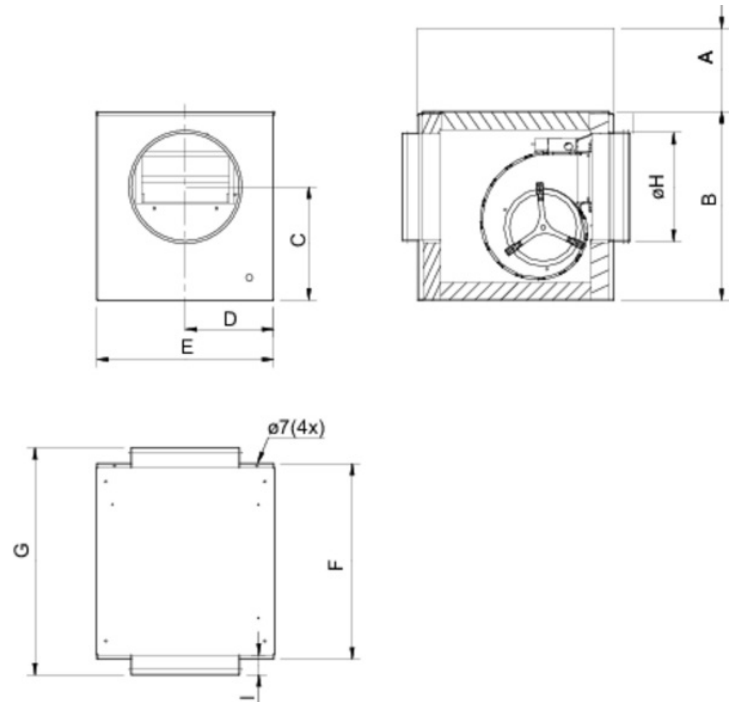




## Technical parameters

Nominal data	
Voltage (nominal)	230 V
Frequency	50 Hz
Phases	1~
Input power	191 W
Input current	0.837 A
Impeller speed	2,422 rpm
Air flow	max 857 m <sup>3</sup> /h
Capacitance of capacitor	4 μF
Temperature of transported air	max 70 °C
Max temperature of transported air, when speed controlled	70 °C
Sound data	
Sound pressure level at 3m (20m <sup>2</sup> Sabin)	39 dB(A)
Protection/Classification	
Enclosure class, motor	IP44
Insulation class	F
Data according to ErP	
Energy class, Basic unit	E
Energy class, Local demand	C
ErP ready	ErP 2016; ErP 2018
Dimensions and weights	
Duct dimension; Circular, inlet	200 mm
Duct dimension; Circular, outlet	200 mm
Weight	13.88 kg
Others	
Duct connection type	Circular
Motor type	AC

## Dimension

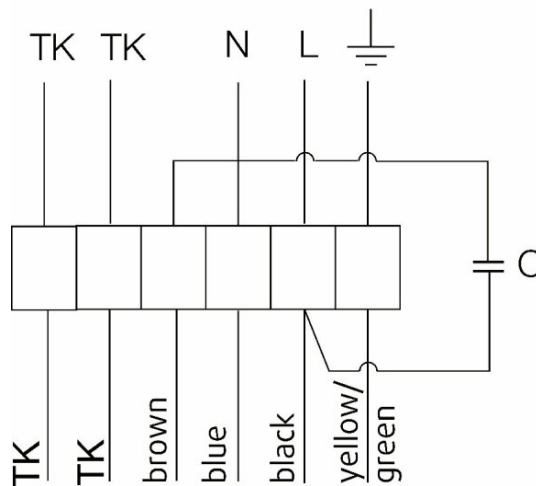


\* = Free area

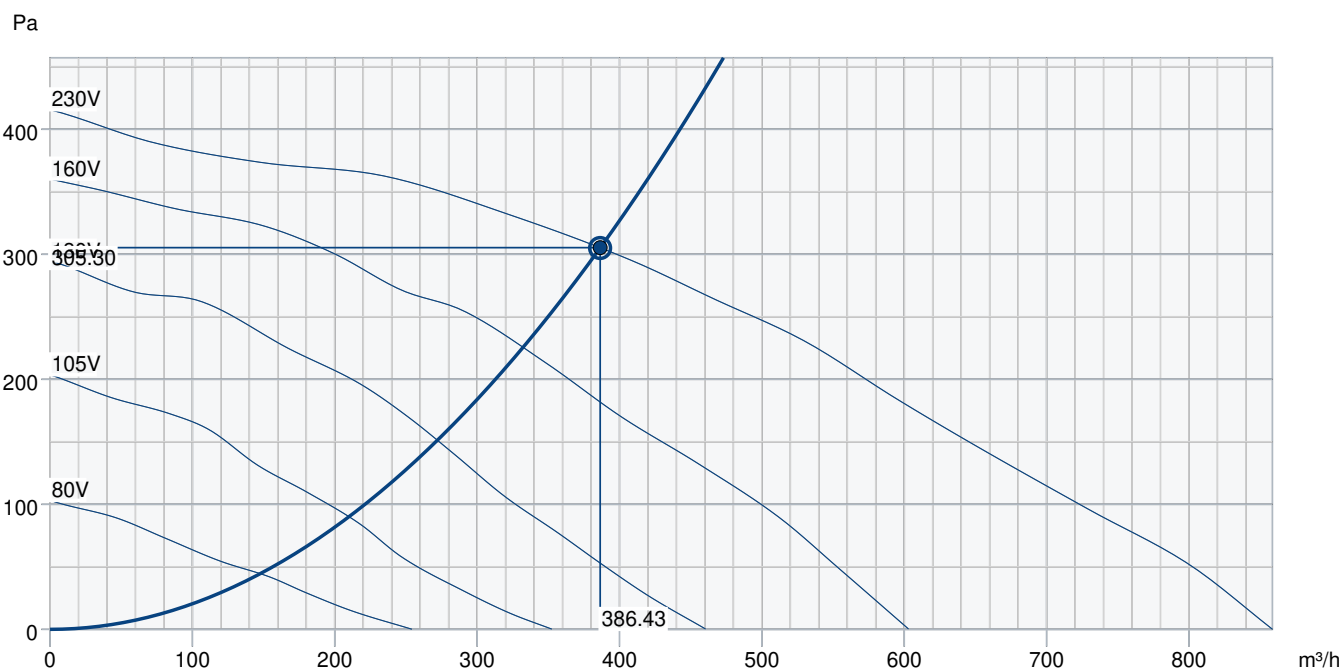
	A	B	C	D	E	F	G	øH	I
KVK 200	340	345	191	193	395	395	440	200	20

# Wiring

230V 1~



## Performance curve



Hydraulic data										
Required air flow		386 m³/h								
Required static pressure		305 Pa								
Working air flow		386 m³/h								
Working static pressure		305 Pa								
Air density		1.204 kg/m³								
Power		142.8 W								
Fan control - RPM		2,663 rpm								
Current		0.59 A								
SFP		1.331 kW/m³/s								
Control voltage		230.0 V								
Supply voltage		230 V								
Sound power level		63	125	250	500	1k	2k	4k	8k	Total
Inlet	dB(A)	56	59	57	53	45	47	41	38	63
Outlet	dB(A)	60	66	64	68	68	67	63	58	74
Surrounding	dB(A)	34	36	41	41	36	39	33	25	47
Sound pressure level at 3m (20m² Sabine)	dB(A)	-	-	-	-	-	-	-	-	40
Sound pressure level at 3m free field	dB(A)	-	-	-	-	-	-	-	-	26
Accessories										

## Accessories

Frequency converter FRQ5SE-6A (37421)  
REPT 6 Digital regulator (5698)  
REU 1.5 Speed control (5004)  
RTRE 1,5 Speed control (5008)  
VKK-200 Back draft damper (1626)  
Frequency converter FRQSE-6A (37419)  
IGK-200 Wall Grid (1633)  
RT 0-30 Room Thermostat (5151)  
T 120 Timer (5165)  
CB 200-2,1 230V/1 Duct heater (5384)  
CB 200-3,0 400V/2 Duct heater (5294)  
CBM 200-5,0 400V/2 Duct heater (5483)  
CBMF 200-5,0 400V/2 Duct heater (12246)  
FFR 200 Filter cassette (1773)  
FK 200 Fast clamp (1611)  
LDC 200-900 Silencer (5195)  
THB 200 Hood w.cover pl. black (134465)  
VBC 200-2 Water heating batt (5459)

REE 1 Speed control (5314)  
RETP 6 Temp/Pressure regulator (32293)  
REV-5POL/05-7,5kW R/Y (33979)  
SG 200 Protection guard (5609)  
CO2RT-R-D Transmitter (6993)  
HR1 Room Humidistat (215150)  
Presence detector/IR24-P (6995)  
Safety switch 2-pole grey (210679)  
VBF 200 Water heating battery (1732)  
CB 200-3,0 230V/1 Duct heater (5370)  
CB 200-5,0 400V/2 Duct heater (5371)  
CBMF 200-3,0 230V/1 Duct heater (12245)  
CWK 200-3-2,5 Duct cooler,circ (30023)  
FGR 200 Filter cassette (1812)  
LDC 200-600 Silencer (5194)  
RSK-200 Back draft damper (5602)  
THS 200 Hood w.cover pl. black (134466)  
VBC 200-3 Water heating batt (9841)

## Documents

INSTALLATION\_OPERATION\_AND\_MAINTENANCE\_INSTRUCTION\_KV\_DUO\_\_KVK\_DUO\_\_KVK\_003\_\_EN.PDF  
Semko Certificate KVK 1116708.pdf  
COMMISSIONING\_RECCORD\_FANS\_\_EN.PDF