

W2E250-HL06-19

AC axial compact fan

sickled blades (S series)



Nominal data

| | | | | |
|-------------------------------|-------------------|---------|---------|---------|
| Type | W2E250-HL06-19 | | | |
| Motor | M2E068-CF | | | |
| Phase | | 1~ | 1~ | 1~ |
| Nominal voltage | VAC | 230 | 230 | 230 |
| Frequency | Hz | 50 | 60 | 60 |
| Type of data definition | | fa | fa | fa |
| Valid for approval / standard | | CE | CE | UL 2111 |
| Speed | min ⁻¹ | 2450 | 2600 | 2600 |
| Power input | W | 115 | 150 | 165 |
| Current draw | A | 0.51 | 0.66 | 0.70 |
| Motor capacitor | μF | 3 | 3 | 3 |
| Capacitor voltage | VDB | 400 | 400 | 400 |
| Capacitor standard | | P0 (CE) | P0 (CE) | UL |
| Max. back pressure | Pa | 90 | 75 | 75 |
| Min. ambient temperature | °C | -25 | -25 | -25 |
| Max. ambient temperature | °C | 75 | 60 | 55 |
| Starting current | A | 0.88 | 0.87 | 0.87 |

ml = Max. load · me = Max. efficiency · fa = Running at free air · cs = Customer specs · cu = Customer unit
Subject to alterations

Technical features

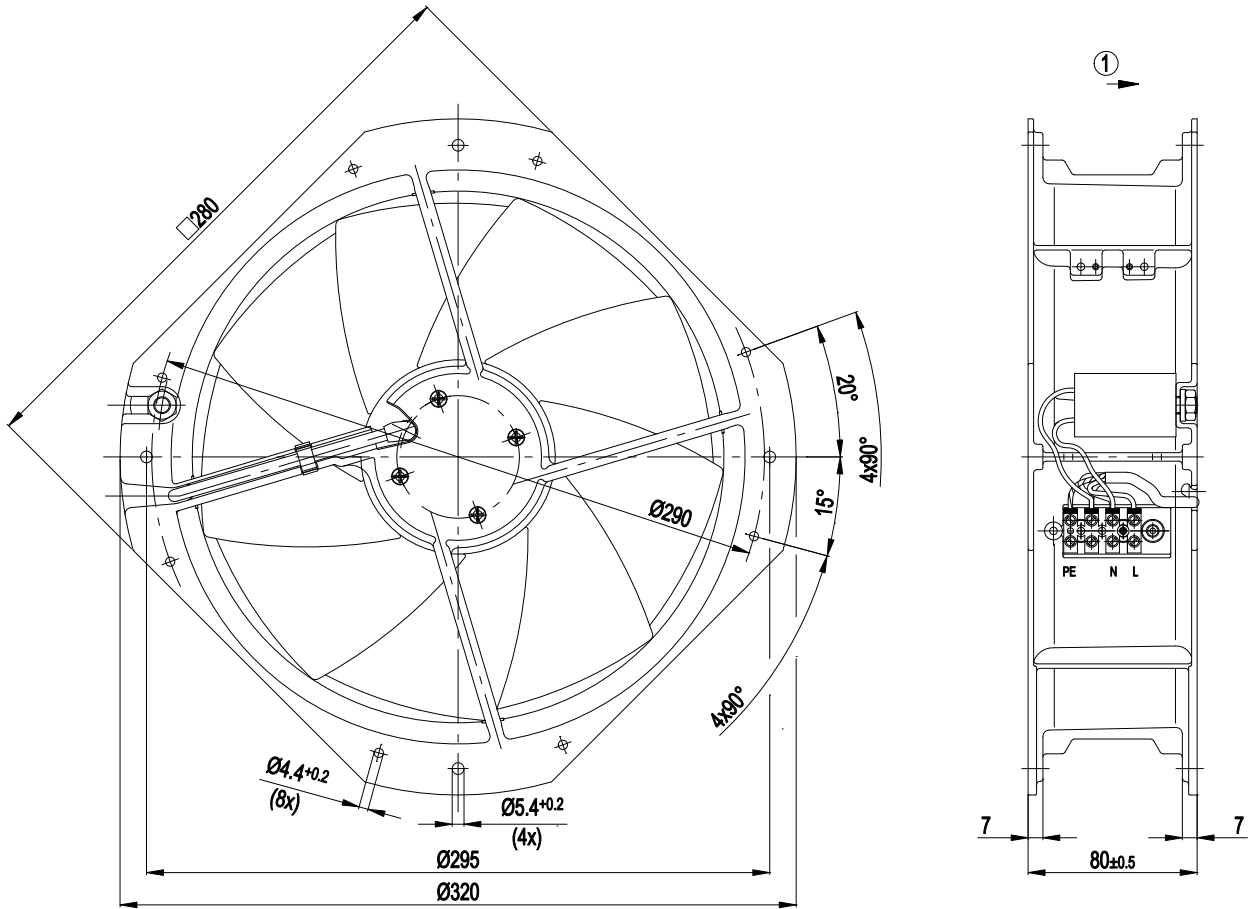
| | |
|--|---|
| Size | 250 mm |
| Surface of rotor | Coated in black |
| Material of blades | Sheet steel, coated in black |
| Housing material | Die-cast aluminium |
| Number of blades | 7 |
| Direction of air flow | "V" |
| Direction of rotation | Counter-clockwise, seen on rotor |
| Type of protection | IP 44; Depending on installation and position |
| Insulation class | "F" |
| Humidity class | F0 |
| Max. permissible ambient motor temp. (transp./ storage) | + 80 °C |
| Min. permissible ambient motor temp. (transp./storage) | - 40 °C |
| Mounting position | Any |
| Condensate discharge holes | None |
| Operation mode | S1 |
| Motor bearing | Ball bearing |
| Touch current acc. IEC 60990 (measuring network Fig. 4, TN system) | < 0.75 mA |
| Electrical leads | Via terminal strips, integrated capacitor connected via terminal strips |
| Motor protection | Thermal overload protector (TOP) wired internally |
| Cable exit | Variable |
| Protection class | I (if protective earth is connected by customer) |
| Product conforming to standard | EN 60335-1; CE |
| Approval | CCC; UL 2111; CSA C22.2 Nr.77 |

W2E250-HL06-19

AC axial compact fan

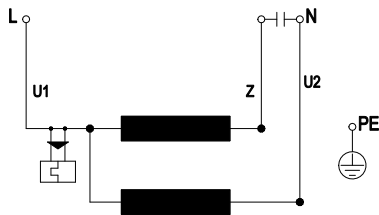
sickled blades (S series)

Product drawing



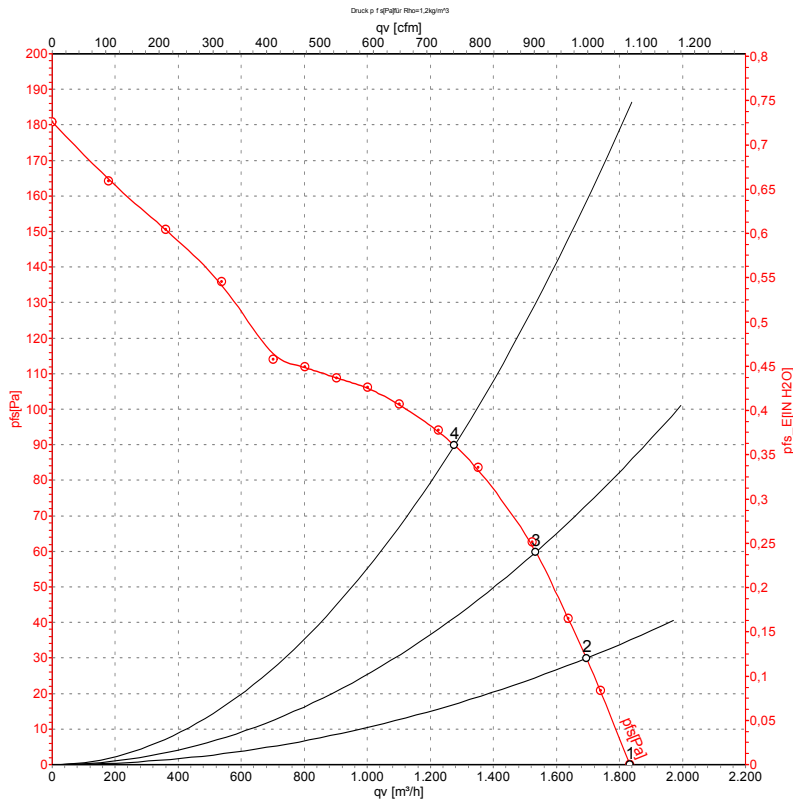
1 Direction of air flow "V"

Connection screen



| | | | | | |
|----|--------------|---|-------|----|-------|
| U1 | blue | Z | brown | U2 | black |
| PE | green/yellow | | | | |

Charts: Air flow 50 Hz



Measurement: LU-60083

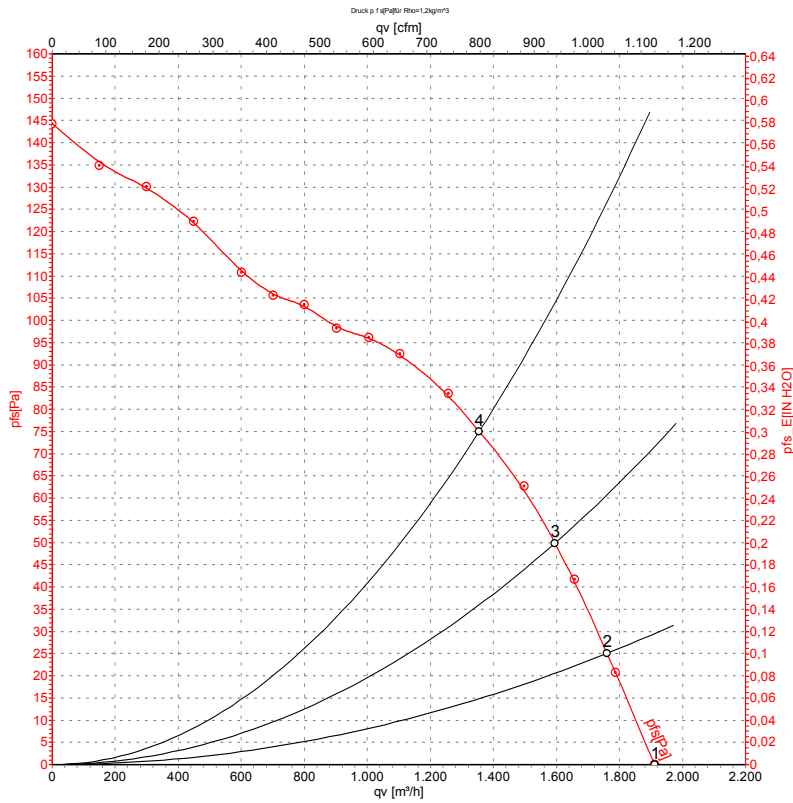
Air performance measured as per ISO 5801 Installation category A. For detailed information on the measuring set-up, please contact ebm-papst. Suction-side noise levels: L_{wA} measured as per ISO 13347 / L_{pA} measured with 1m distance to fan axis. The values given are valid under the measuring conditions mentioned above and may vary according to the actual installation situation. With any deviation from the standard set-up, the specific values have to be checked and reviewed with the unit installed.

Measured values

| | U | f | n | P _e | I | qv | P _{fs} |
|---|-----|----|-------------------|----------------|------|-------------------|-----------------|
| | V | Hz | min ⁻¹ | W | A | m ³ /h | Pa |
| 1 | 230 | 50 | 2450 | 115 | 0.51 | 1835 | 0 |
| 2 | 230 | 50 | 2450 | 118 | 0.51 | 1695 | 30 |
| 3 | 230 | 50 | 2390 | 124 | 0.54 | 1535 | 60 |
| 4 | 230 | 50 | 2320 | 130 | 0.57 | 1275 | 90 |

U = Supply voltage · f = Frequency · n = Speed · P_e = Power input · I = Current draw · qv = Air flow · P_{fs} = Pressure increase

Charts: Air flow 60 Hz



Measurement: LU-60085

Air performance measured as per ISO 5801 Installation category A. For detailed information on the measuring set-up, please contact ebm-papst. Suction-side noise levels: L_{wA} measured as per ISO 13347 / L_{pA} measured with 1m distance to fan axis. The values given are valid under the measuring conditions mentioned above and may vary according to the actual installation situation. With any deviation from the standard set-up, the specific values have to be checked and reviewed with the unit installed.

Measured values

| | U | f | n | P _e | I | qv | p _{fs} |
|---|-----|----|-------------------|----------------|------|------|-----------------|
| | V | Hz | min ⁻¹ | W | A | m³/h | Pa |
| 1 | 230 | 60 | 2600 | 150 | 0.66 | 1910 | 0 |
| 2 | 230 | 60 | 2525 | 155 | 0.67 | 1760 | 25 |
| 3 | 230 | 60 | 2420 | 159 | 0.69 | 1595 | 50 |
| 4 | 230 | 60 | 2310 | 164 | 0.71 | 1355 | 75 |

U = Supply voltage · f = Frequency · n = Speed · P_e = Power input · I = Current draw · qv = Air flow · p_{fs} = Pressure increase