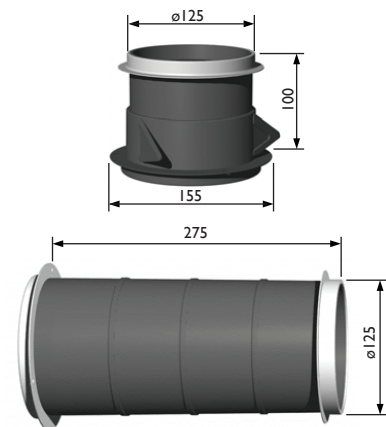


AL Installation instructions

Installation

The AL is installed in vertical walls by simple fitting onto a 125 Ø sleeve fixed on the aeration duct. The lip seal ensures that the sleeve is securely fixed and watertight. Possible fitting with Ø 99, 116, 150 or 160 mm.

When ceiling mounted, an adapted sleeve can be used (125 Ø, 3-claw plasterboard sleeve, or 125 Ø plastic sleeve for penetrating slabs for use with the 125 Ø sleeve). In such cases, a kitchen installation will require the return angle fitting for cord guidance.



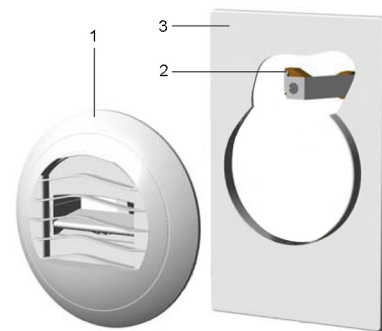
AL Renovation plate

If certain precautions are taken (section and watertightness of ducts), the existing natural ventilation ducts can be used for the mechanical ventilation system.

A white polystyrene plate (3) can be used to assemble an AL vent on an existing rectangular frame.

Installation

The renovation plate is installed after painting. Place the plate against the wall and ensure that the fixing claws penetrate the space. Tighten the screw only moderately.



Renovation plate 175 x 278 mm

1 AL Vent

2 Fixing stirrups

3 Foam seal bonded onto the plate

Maintenance

The AL vent must be periodically cleaned in order to retain its maximum performances :

- Remove the louver cover (4) and the control module (3) from the vent casing (the vent can be dismantled if necessary)
- Clean using soapy water without dismantling any of the regulation module
- Refit the parts in the vent casing.

