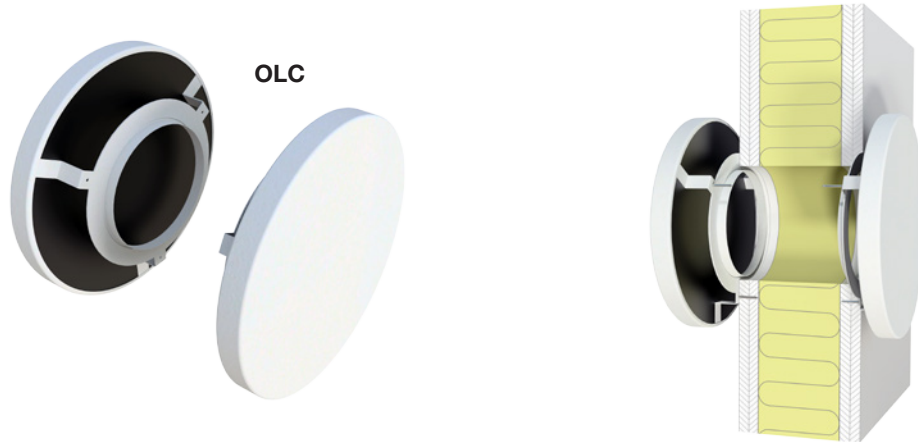


## Lindab **OLC**

Overflow unit - Installation instruction  
Overtryksarmatur - Installations vejledning  
Överluftsdon - Montageinstruktion  
Siirtoilmalaite - Asennusohje  
Nachströmventil - Montageanleitung  
Valvola di controllo della pressione - Istruzioni di montaggio  
Bouche de transfert - Instructions de montage

# OLC

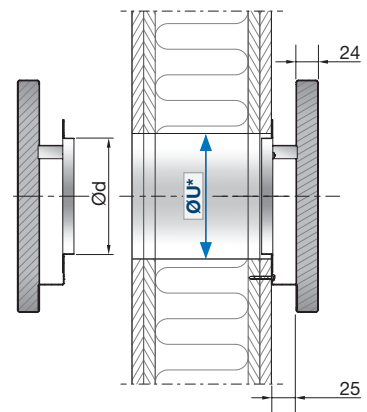
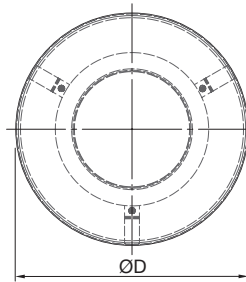
Overview  
 Oversigt  
 Översikt  
 Yleiskatsaus  
 Übersicht  
 Panoramica  
 Aperçu



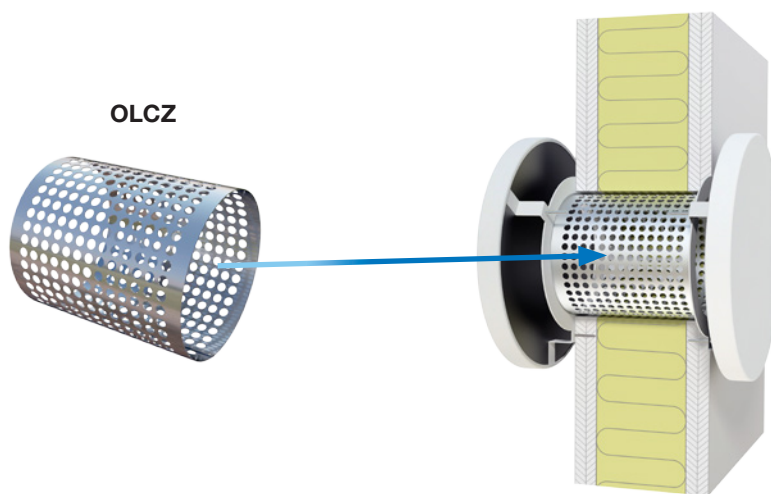
Dimensions  
 Dimensioner  
 Dimensioner  
 Mitat  
 Dimensionen  
 Dimensioni  
 Dimensions

$$\text{ØU}^* = \text{Ød} + 10 \text{ mm}$$

Ød	ØD [mm]	ØU*
100	200	110
125	250	135
160	300	170

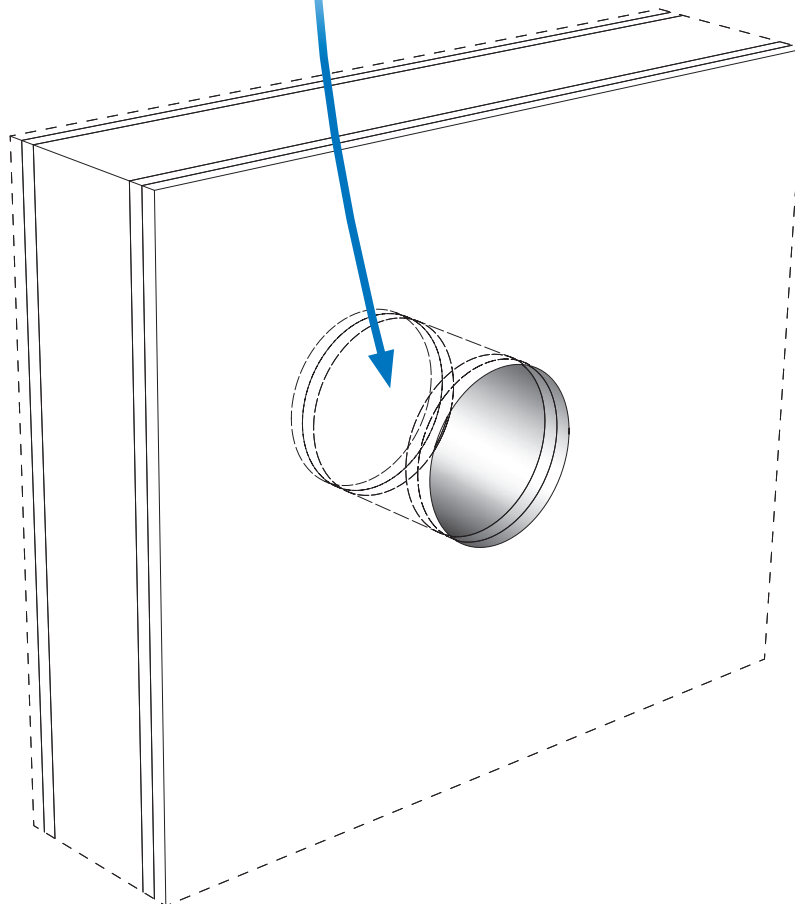
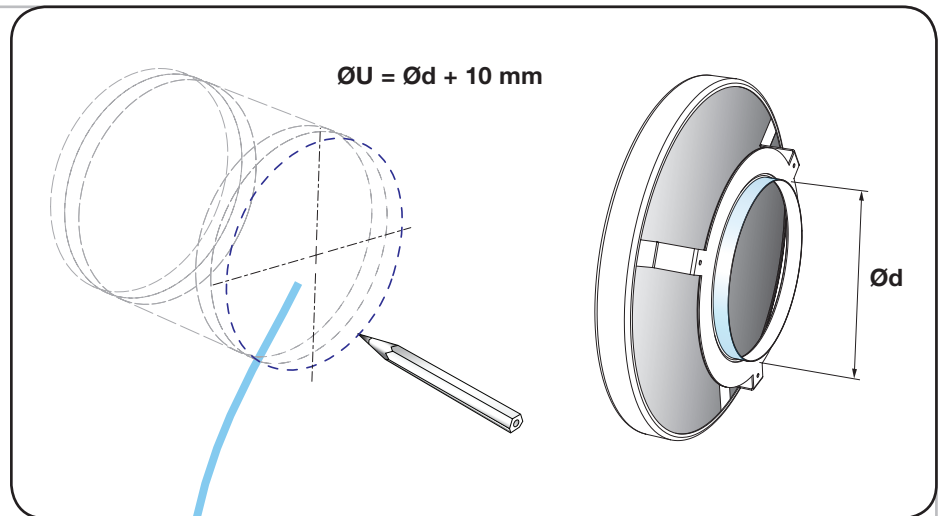


Accessories  
 Tilbehør  
 Tillbehör  
 Lisävarusteet  
 Zubehör  
 Accessori  
 Accessoires

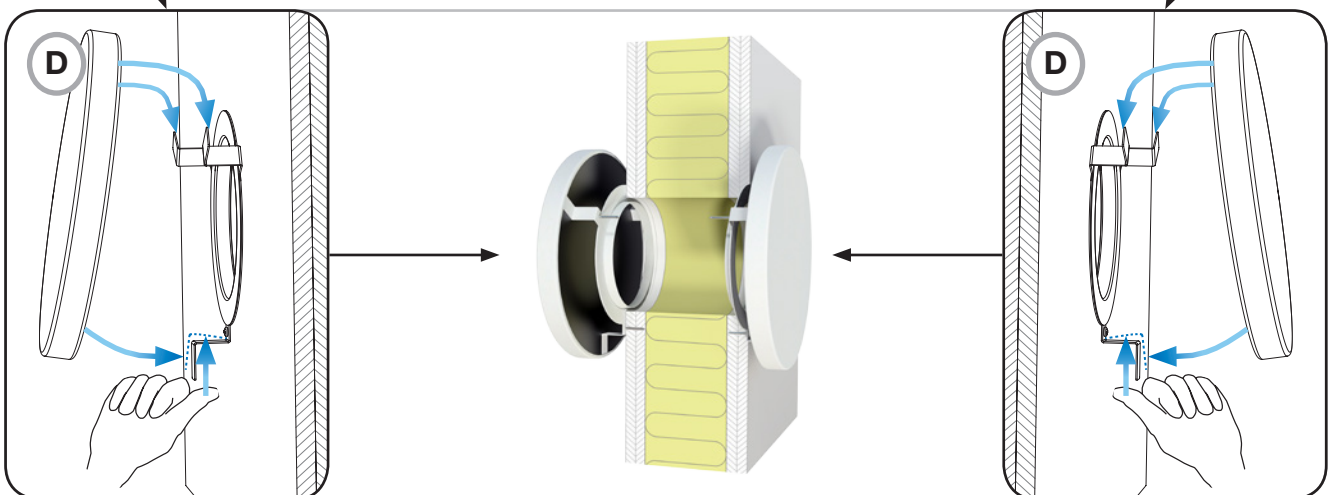
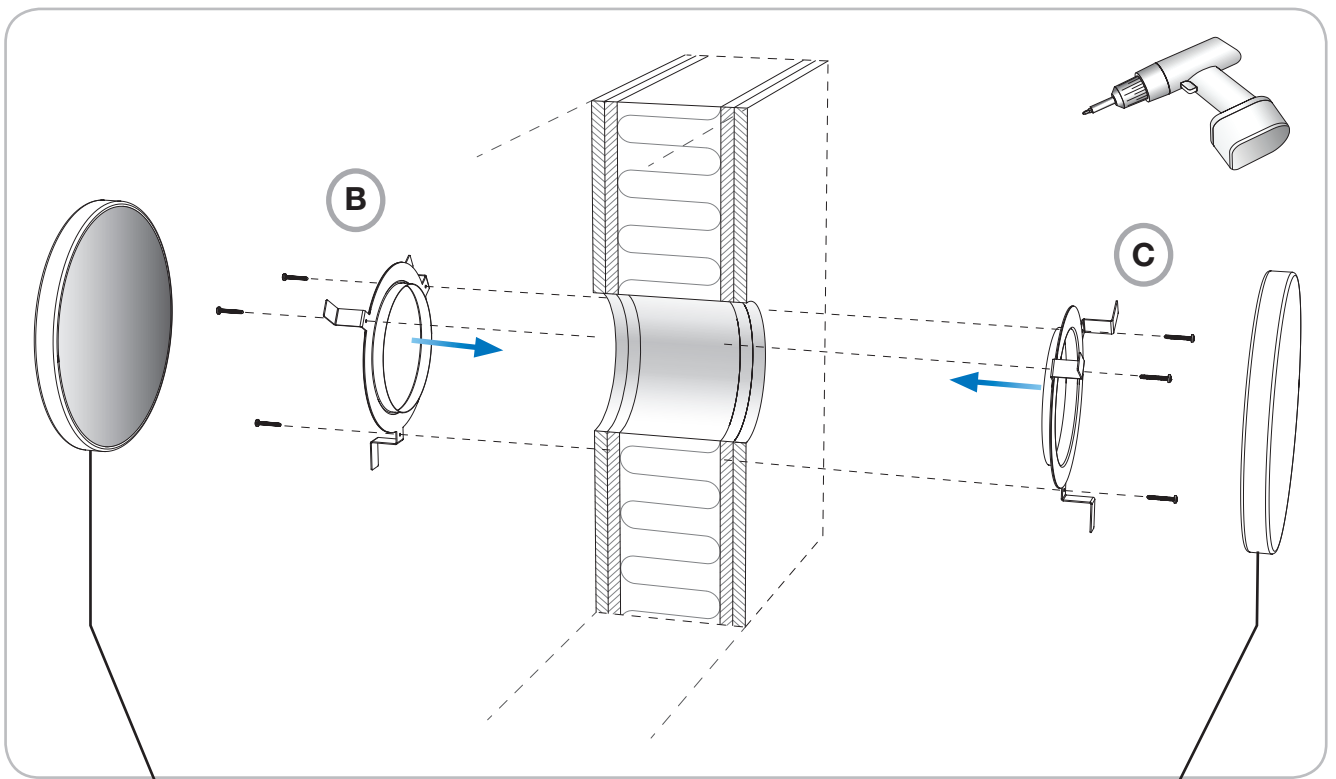
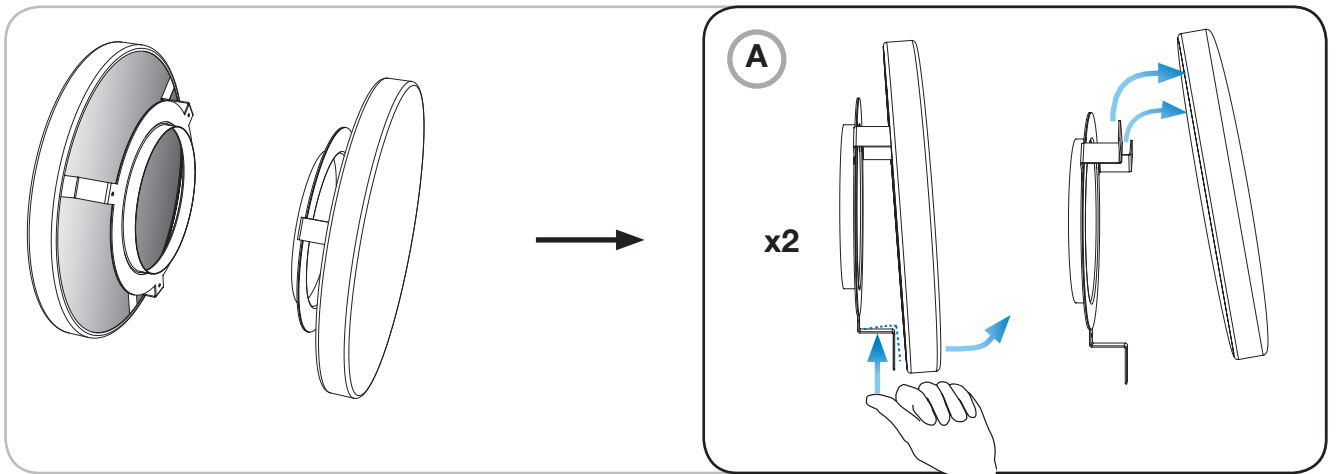


# OLC

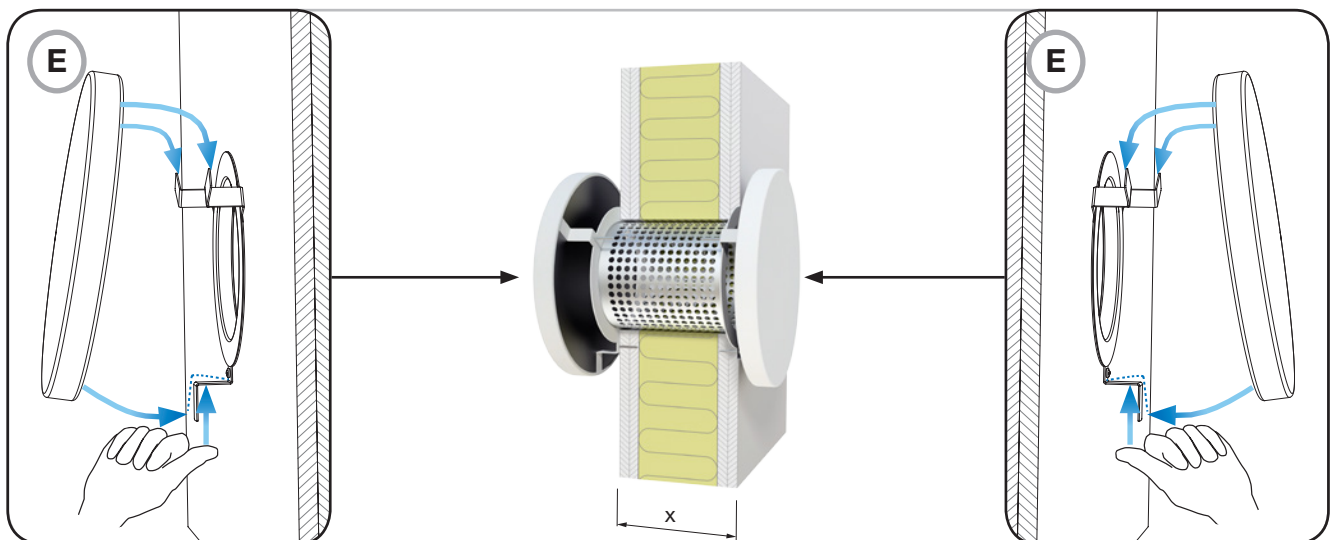
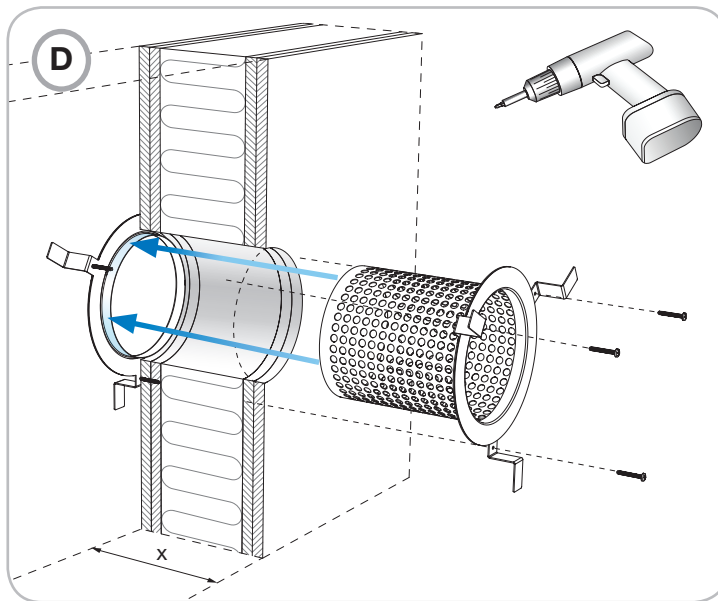
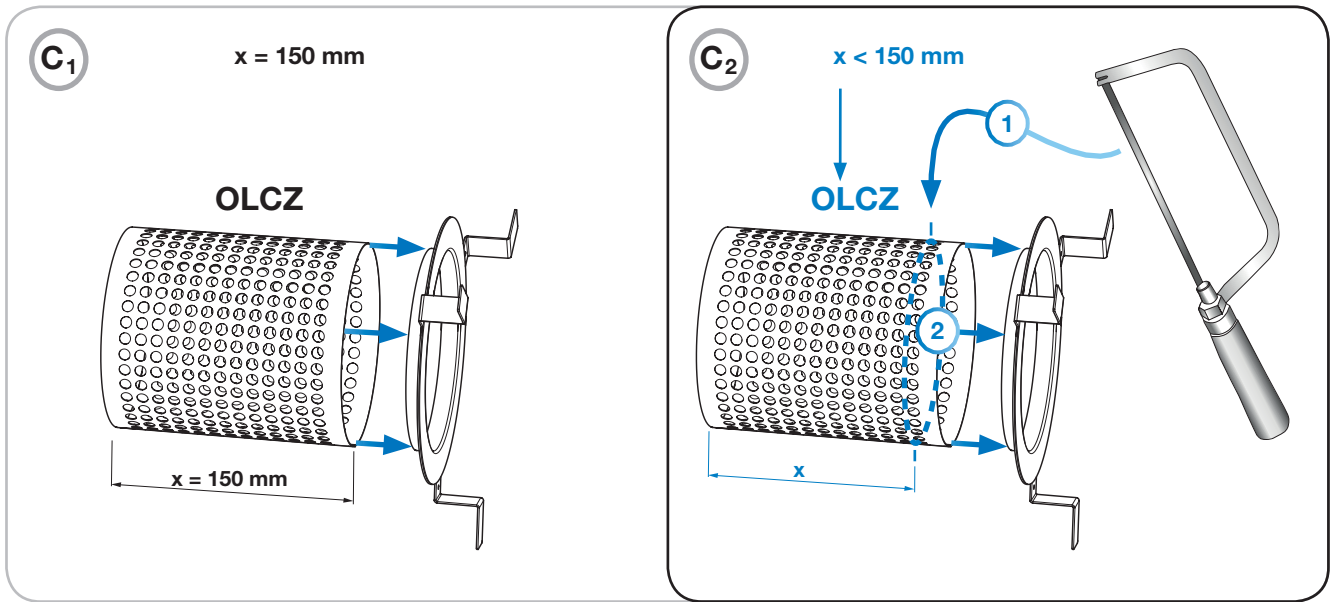
**Cutout dimension**  
**Udskæringsmål**  
**Utskärningsmått**  
**Asennusaukko**  
**Ausschnittsmaß**  
**Dimensione del foro**  
**Dimensions d'ouverture**



# OLC



# OLC - OLCZ





## Good Thinking

**At Lindab**, good thinking is a philosophy that guides us in everything we do. We have made it our mission to create a healthy indoor climate - and to simplify the construction of sustainable buildings. We do that by designing innovative products and solutions that are easy to use, as well as offering efficient availability and logistics. We are also working on ways to reduce our impact on our environment and climate. We do that by developing methods to produce our solutions using a minimum of energy and natural resources, and by reducing negative effects on the environment. We use steel in our products. It's one of few materials that can be recycled an infinite number of times without losing any of its properties. That means less carbon emissions in nature and less energy wasted.

**We simplify construction**